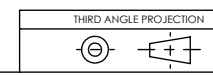
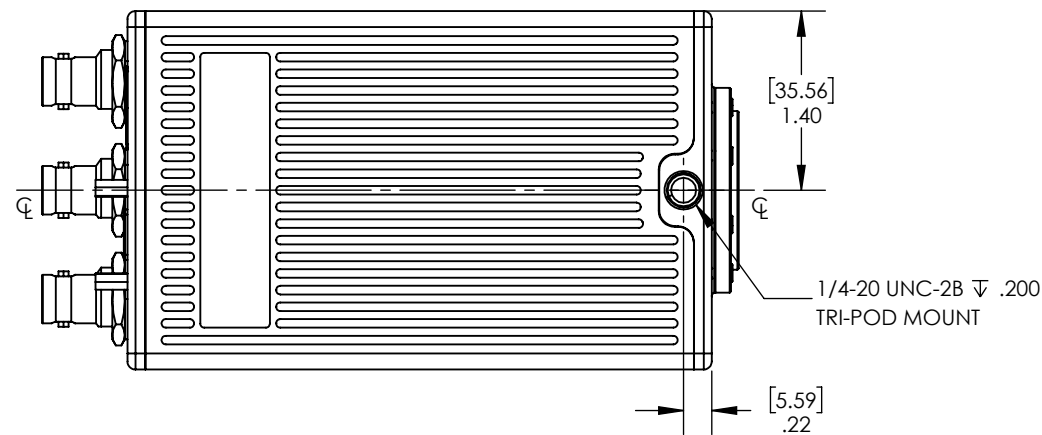
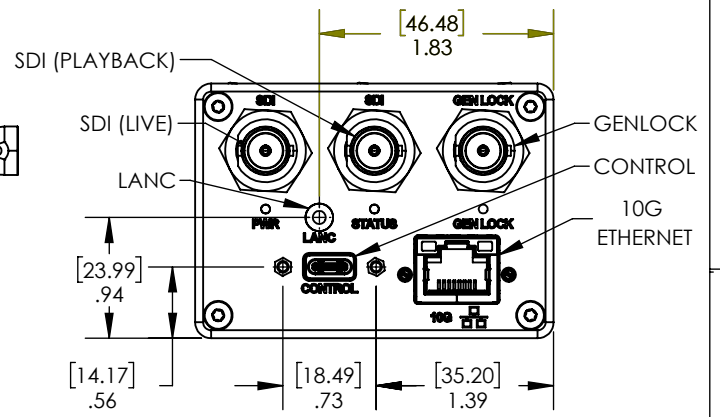
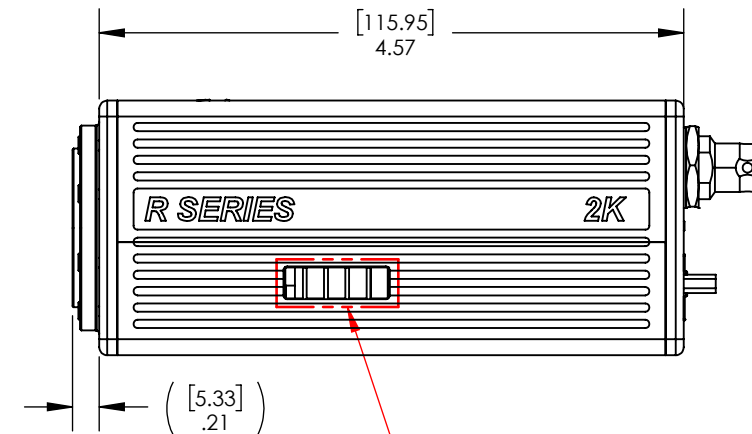
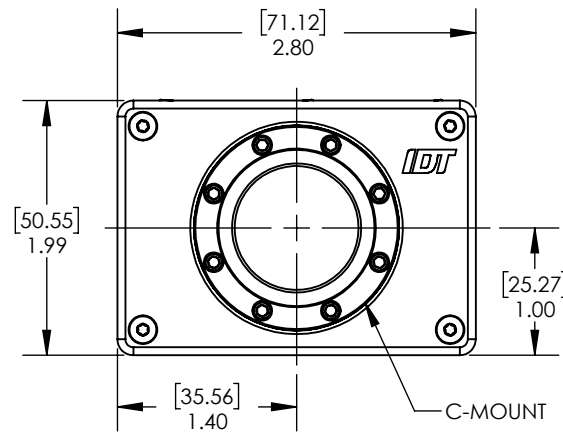
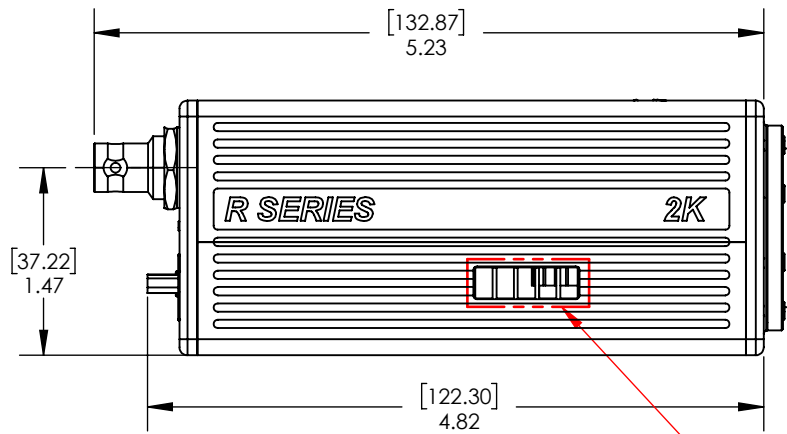
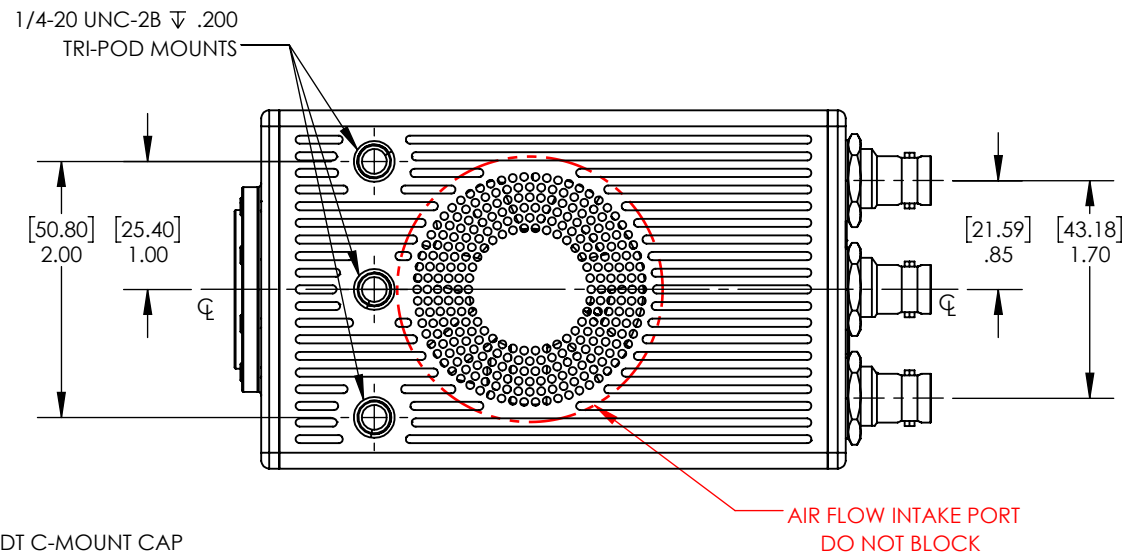


NOTES: UNLESS OTHERWISE SPECIFIED

1. INTERFACE CONTROL DOCUMENT.

REVISIONS					
ZONE	REV.	ECO #	DESCRIPTION	DATE	APPROVED
	A	-	INITIAL RELEASE FOR PRODUCTION.	12/05/2018	C. VIDAMO
	B	ECO-0506	INCORPORATE ECO ON COVER HOUSING	9/24/2019	D. ATOL



<p>PROPRIETARY AND CONFIDENTIAL</p> <p>THE INFORMATION CONTAINED IN THIS DRAWING IS THE SOLE PROPERTY OF INTEGRATED DESIGN TOOLS, INC. ANY REPRODUCTION IN PART OR AS A WHOLE WITHOUT THE WRITTEN PERMISSION OF INTEGRATED DESIGN TOOLS, INC. IS PROHIBITED.</p> <p>IDT</p>	MATERIAL:	FINISH:	PROJECT NAME: R CAMERA	<p>INTEGRATED DESIGN TOOLS, INC</p> <p>1 WEST MOUNTAIN STREET SUITE 3 PASADENA, CA 91103</p>	
	UNLESS OTHERWISE SPECIFIED: DIMENSIONS ARE IN INCHES TOLERANCES ON:		DATE: C. VIDAMO 12/05/2018		TITLE: INTERFACE CONTROL DOCUMENT, R SERIES CAMERA
	FRACTIONAL DECIMAL ANGULAR	.XX ± .01	± 1°		CHECKED: D. ATOL 12/05/2018
	± 1/16	.XXX ± .005			MECH. ENGINEER: C. VIDAMO 12/05/2018
DO NOT SCALE DRAWING			OPERATION MANAGER:	SIZE: B	
			PROGRAM MANAGER:	DWG. NO. 1465-0100	
				SCALE: 1:8	
				DATE: 9/30/2019	
				SHEET 1 OF 1	
				REV B	