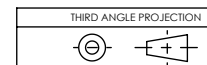
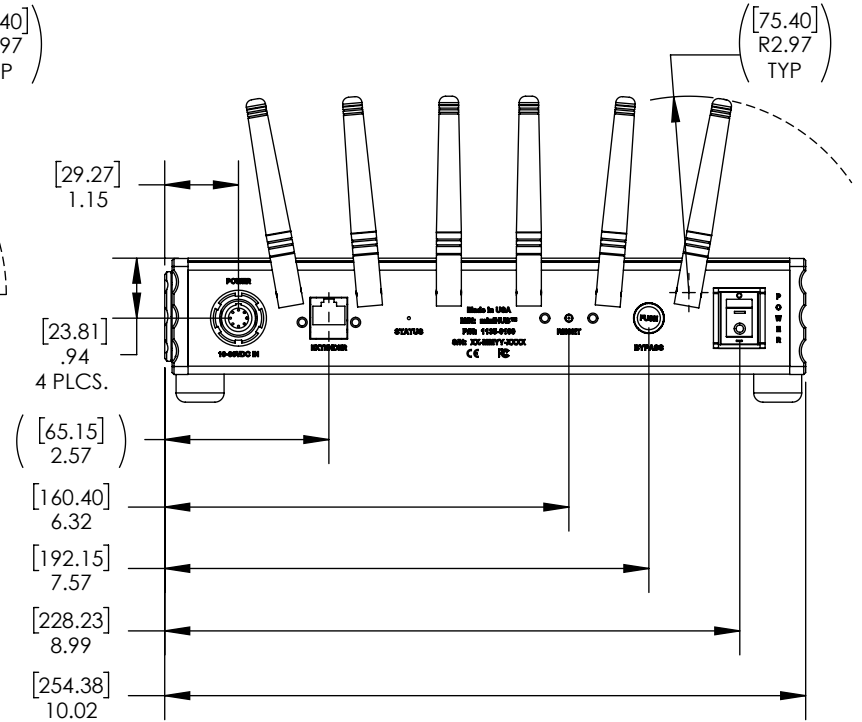
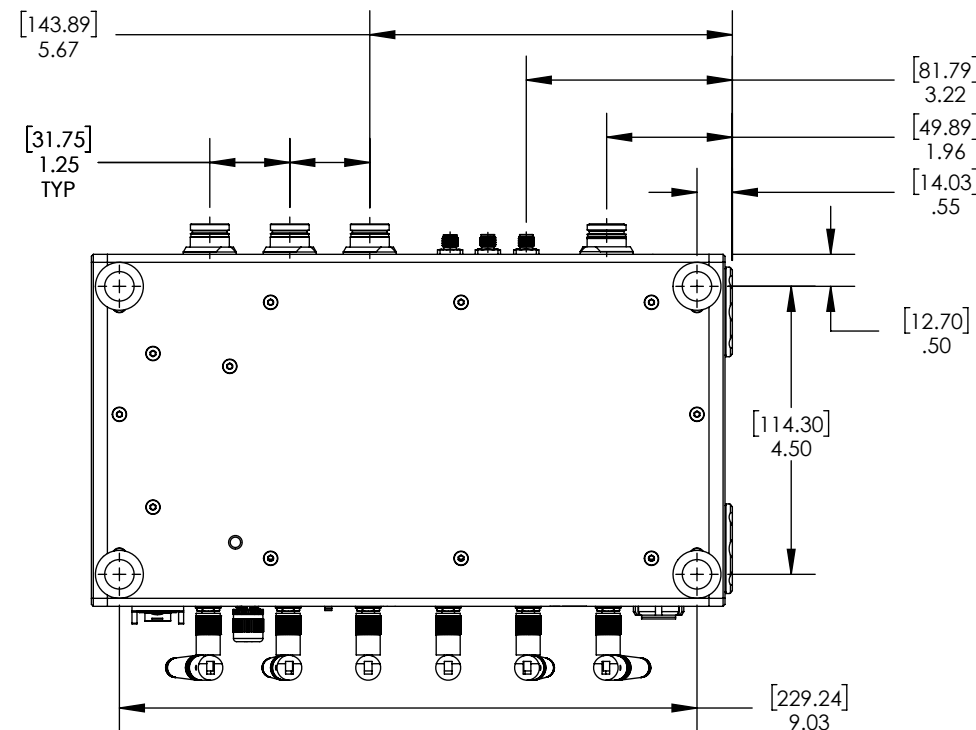
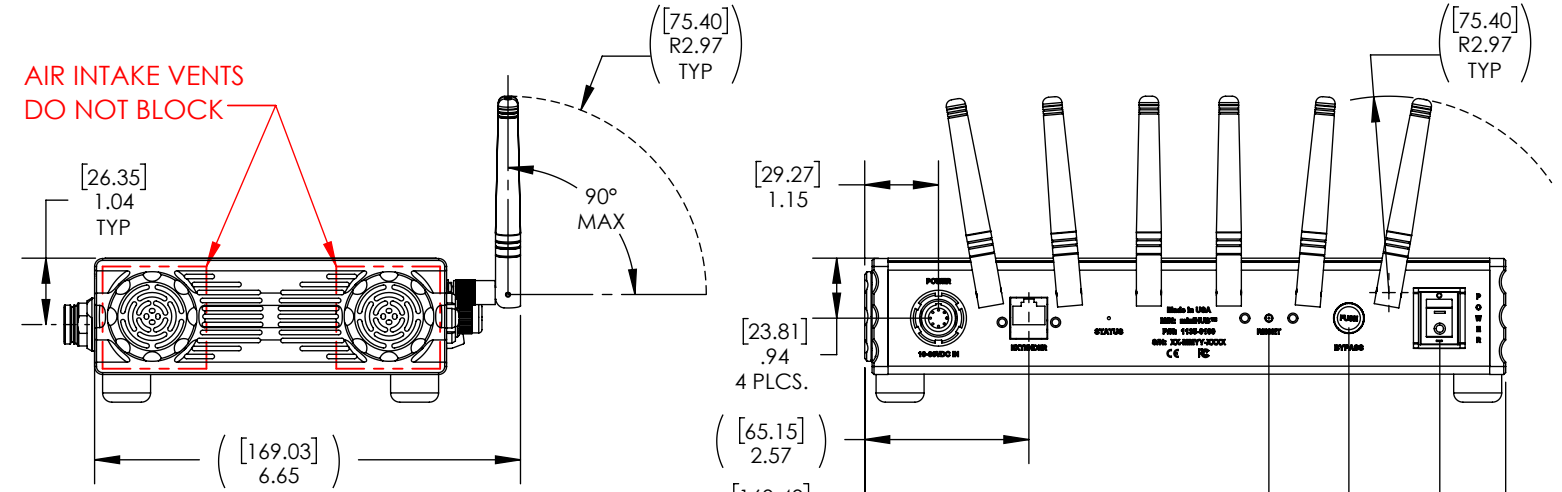
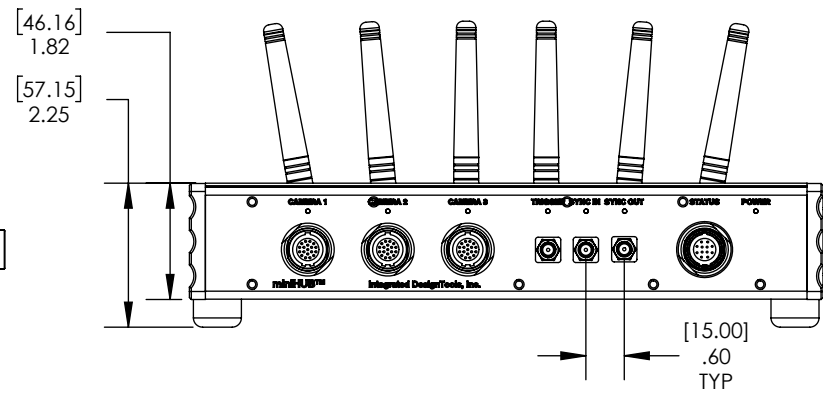
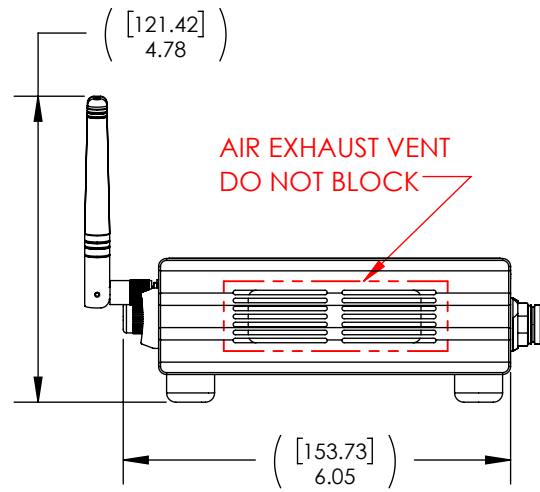
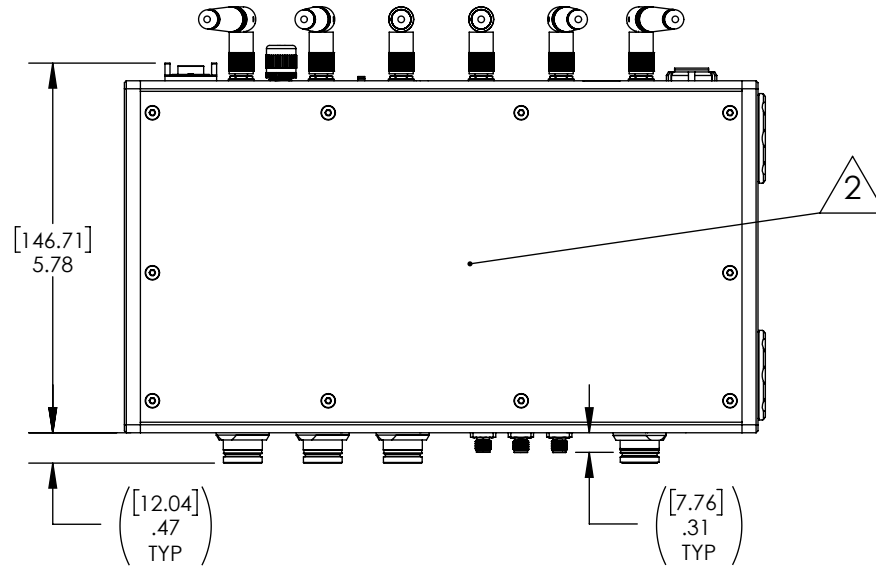


NOTES: UNLESS OTHERWISE SPECIFIED

1. INTERFACE CONTROL DOCUMENT.

2. DO NOT PLACE HEAVY OBJECTS ON THE PRODUCT.

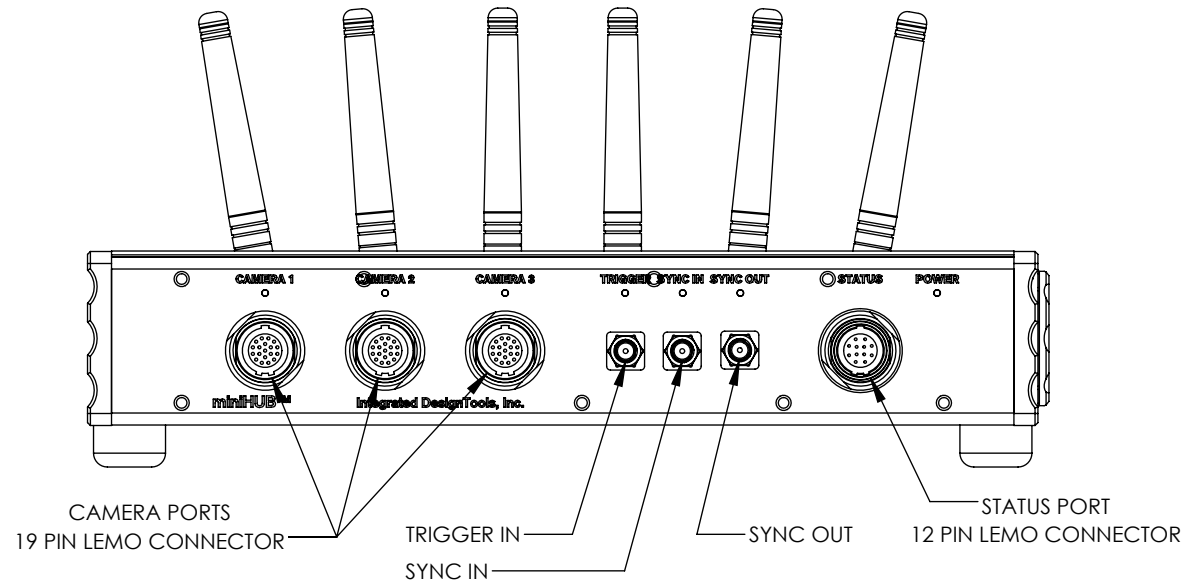
REVISIONS					
ZONE	REV.	ECO #	DESCRIPTION	DATE	APPROVED
	A	ECO-13-068	INITIAL RELEASE FOR PRODUCTION	12/10/2013	S. PARIS
	B	ECO-0404, ECO-0405, ECO-406, ECO-0408	INTERFACE CONTROL DRAWING UPDATE.	1/10/2019	C. VIDAMO



PROPRIETARY AND CONFIDENTIAL <small>THE INFORMATION CONTAINED IN THIS DRAWING IS THE SOLE PROPERTY OF INTEGRATED DESIGN TOOLS, INC. ANY REPRODUCTION IN PART OR AS A WHOLE WITHOUT THE WRITTEN PERMISSION OF INTEGRATED DESIGN TOOLS, INC. IS PROHIBITED.</small>	MATERIAL:	FINISH:	PROJECT NAME: miniHUB	INTEGRATED DESIGN TOOLS, INC <small>1 WEST MOUNTAIN STREET SUITE 3 PASADENA, CA 91103</small>
	<small>UNLESS OTHERWISE SPECIFIED: DIMENSIONS ARE IN INCHES TOLERANCES ON: FRACTIONAL DECIMAL ANGULAR ± 1/16 .X ± .03 ± 1° .XX ± .01 .XXX ± .005</small>			
<small>DO NOT SCALE DRAWING</small>			<small>SIZE: B</small> <small>DWG. NO. 1135-0100</small> <small>SCALE: 1:1</small>	<small>REV B</small> <small>DATE: 1/14/2019</small> <small>SHEET 1 OF 2</small>

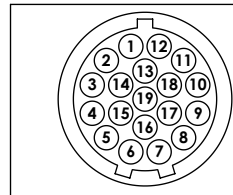
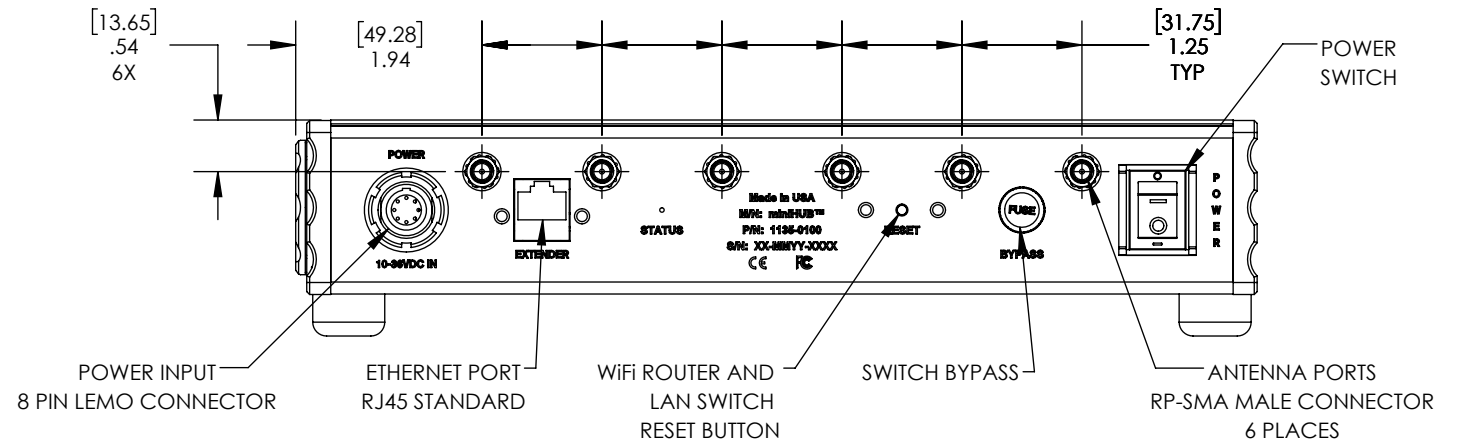
FOR CONNECTORS AND ELECTRICAL SPECIFICATIONS REFERENCE ONLY

FRONT VIEW

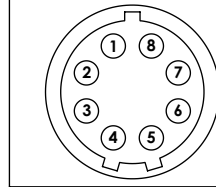


REAR VIEW

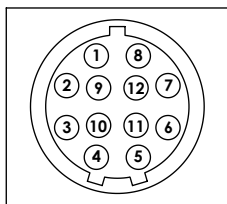
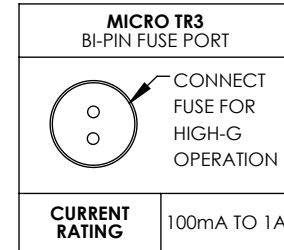
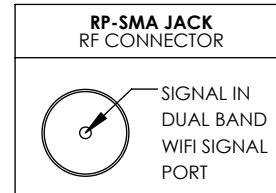
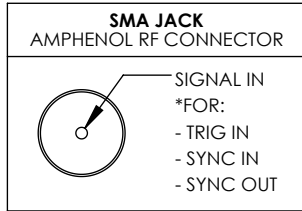
ANTENNAS NOT SHOWN



LEMO CONNECTOR M-SERIES HEN.2M.319.XNLP		
PIN	SIGNAL	TECHINCAL DESCRIPTION
1	GND	GROUND
2	READY 1	TTL 5V LEVEL SIGNAL
3	SYNC OUT	TTL 5V LEVEL SIGNAL
4	ETH 1	100 Ω ± 10%, GIGABIT ETHERNET
5	ETH 2	100 Ω ± 10%, GIGABIT ETHERNET
6	ETH 6	100 Ω ± 10%, GIGABIT ETHERNET
7	ETH 5	100 Ω ± 10%, GIGABIT ETHERNET
8	ETH 7	100 Ω ± 10%, GIGABIT ETHERNET
9	ETH 8	100 Ω ± 10%, GIGABIT ETHERNET
10	GND	GROUND
11	IRIG 1	IRIG SIGNAL 1
12	POWER	+24 VDC
13	NOT CONNECTED	-
14	TRIG IN	TTL LEVEL (5V AND 3.3V COMPATIBLE)
15	ETH 3	100 Ω ± 10%, GIGABIT ETHERNET
16	ETH 4	100 Ω ± 10%, GIGABIT ETHERNET
17	GND	GROUND
18	IRIG 1	IRIG SIGNAL 2
19	SYNC IN	TTL LEVEL (5V AND 3.3V COMPATIBLE)



LEMO CONNECTOR B-SERIES ECG.2B.308.CYM		
PIN	SIGNAL	TECHINCAL DESCRIPTION
1		
2	+24 VDC (IDEAL)	+15VDC TO +36VDC POWER INPUT, 150W (@ MAX LOAD)
3		
4		
5		
6	GROUND	POWER RETURN
7		
8		



LEMO CONNECTOR M-SERIES HEN.2M.312.XNLP				
PIN	NORMAL (NON-LASER)		LASER (USE OF PIGTAIL CABLE)	
	SIGNAL	TECHINCAL DESCRIPTION	SIGNAL	TECHINCAL DESCRIPTION
1	READY1 (OUT)	TTL 5V LEVEL SIGNAL	SYNC OUT	DELAYED, USED BY LASER PIGTAIL CABLE
2	READY2 (OUT)	TTL 5V LEVEL SIGNAL	READY2 (OUT)	TTL 5V LEVEL SIGNAL
3	READY3 (OUT)	TTL 5V LEVEL SIGNAL	READY3 (OUT)	TTL 5V LEVEL SIGNAL
4	RESERVED (IRIG AVAILABLE)	RESERVED, IRIG SIGNAL 1 READY	TRIG IN	TTL LEVEL (5V AND 3.3V COMPATIBLE)
5	RESERVED (IRIG AVAILABLE)	RESERVED, IRIG SIGNAL 1 READY	SYNC IN	TTL LEVEL (5V AND 3.3V COMPATIBLE)
6	GND ISO	ISOLATED GROUND	GND ISO	ISOLATED GROUND
7	GLOBAL READY OUT	TTL 5V LEVEL SIGNAL	GLOBAL READY OUT	TTL 5V LEVEL SIGNAL
8	RESERVED (IRIG AVAILABLE)	RESERVED, IRIG SIGNAL 2 READY	SYNC OUT	TTL 5V LEVEL SIGNAL
9	RESERVED (IRIG AVAILABLE)	RESERVED, IRIG SIGNAL 2 READY	SWITCH ISO (IN)	ISOLATED SWITCH IN, USED BY LASER PIGTAIL CABLE
10	RESERVED (IRIG AVAILABLE)	RESERVED, IRIG SIGNAL 3 READY	SWITCH (IN)	SWITCH IN, USED BY LASER PIGTAIL CABLE
11	RESERVED (IRIG AVAILABLE)	RESERVED, IRIG SIGNAL 3 READY	RESERVED	RESERVED
12	SIGNAL RETURN	GROUND	SIGNAL RETURN	GROUND

PROPRIETARY AND CONFIDENTIAL <small>THE INFORMATION CONTAINED IN THIS DRAWING IS THE SOLE PROPERTY OF INTEGRATED DESIGN TOOLS, INC. ANY REPRODUCTION IN PART OR AS A WHOLE WITHOUT THE WRITTEN PERMISSION OF INTEGRATED DESIGN TOOLS, INC. IS PROHIBITED.</small>	MATERIAL:	FINISH:	PROJECT NAME: miniHUB	INTEGRATED DESIGN TOOLS, INC <small>1 WEST MOUNTAIN STREET SUITE 3 PASADENA, CA 91103</small>	
	UNLESS OTHERWISE SPECIFIED: DIMENSIONS ARE IN INCHES TOLERANCES ON:				DRAWN: C. VIDAMO DATE: 1/07/2019 CHECKED: B. MOAK DATE: 1/10/2019 REVISION: C. VIDAMO DATE: 1/07/2019
	FRACTIONAL DECIMAL ANGULAR ± 1/16 .X ± .03 ± 1° .XX ± .01 .XXX ± .005				ELECTRICAL ENGINEER: OPERATIONS MANAGER: PROGRAM MANAGER:
	DO NOT SCALE DRAWING				TITLE: INTERFACE CONTROL DOCUMENT (ICD), miniHUB
THIRD ANGLE PROJECTION		DWG. NO. 1135-0100		REV B	
SCALE: 1:2		DATE: 1/07/2019		SHEET 2 OF 2	