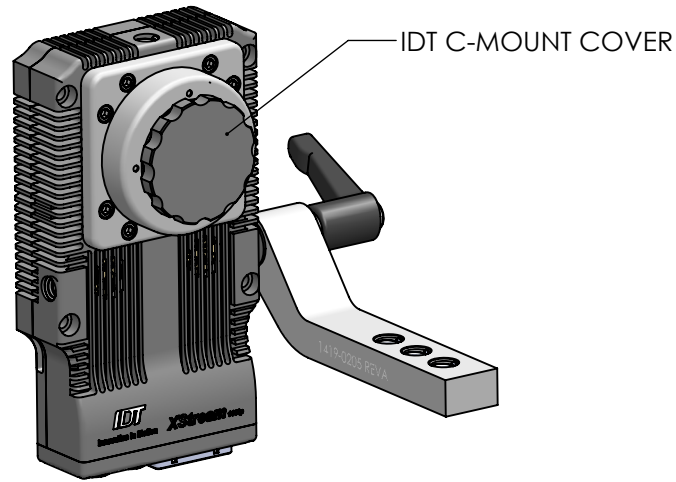
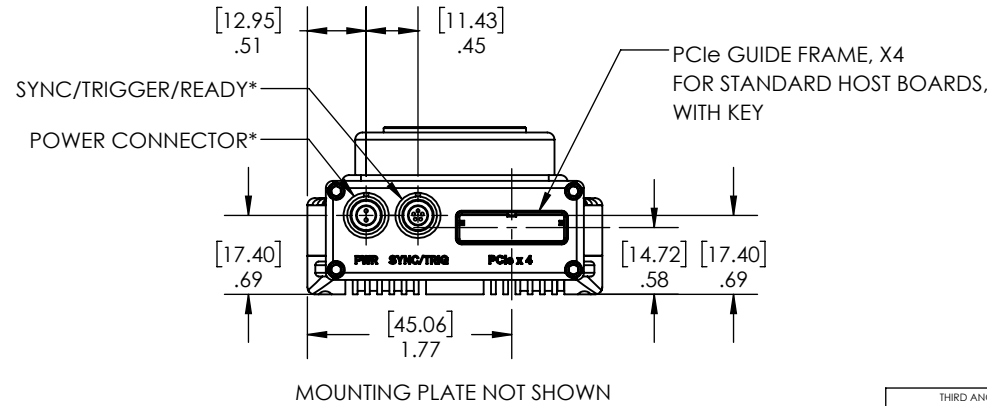
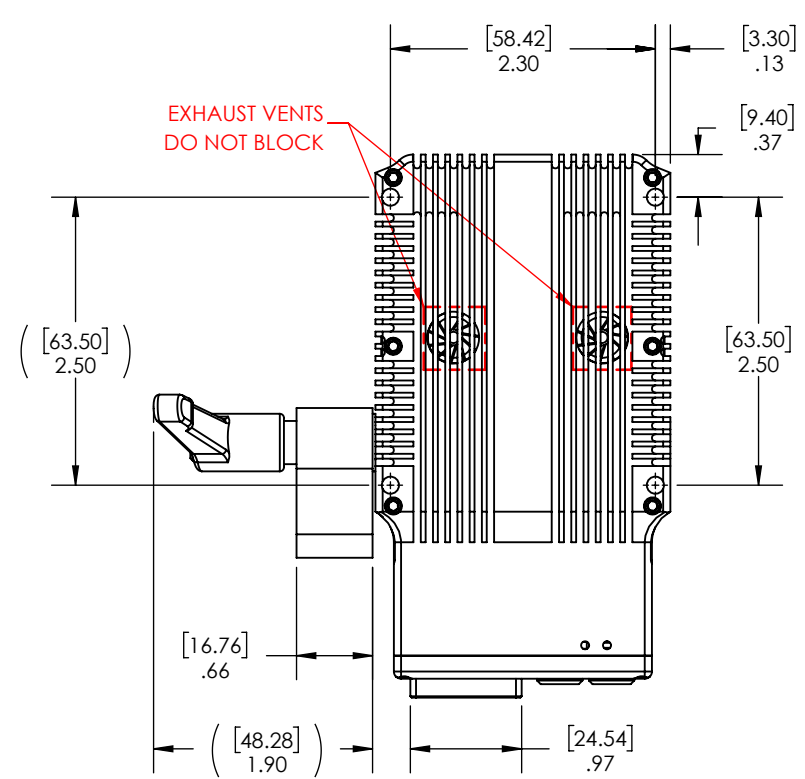
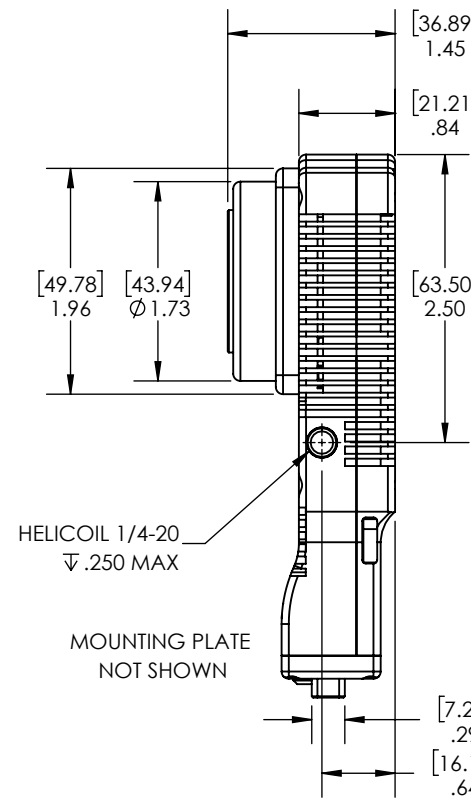
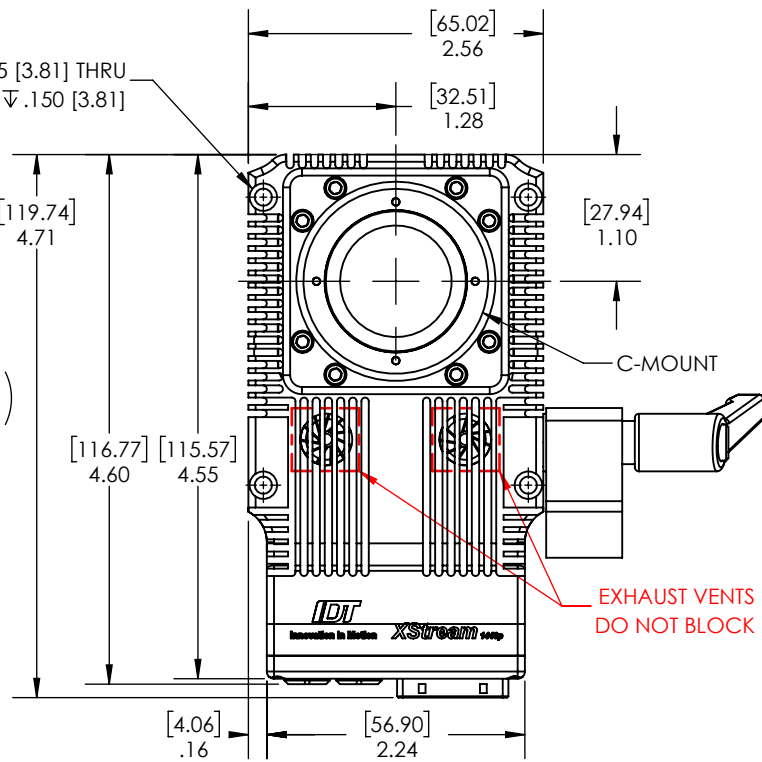
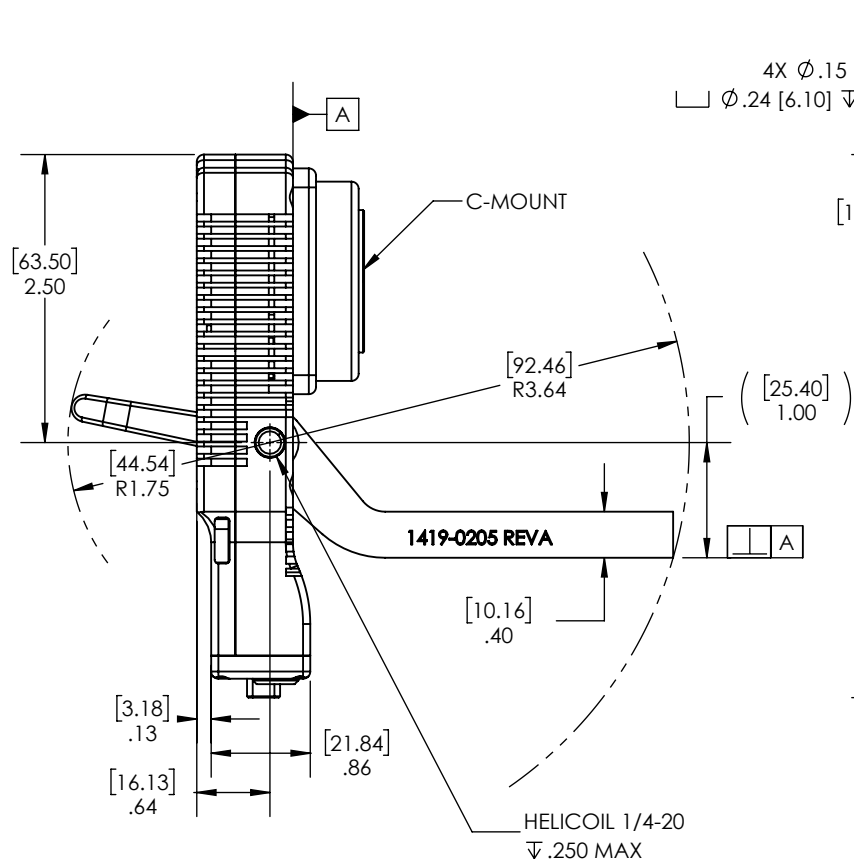
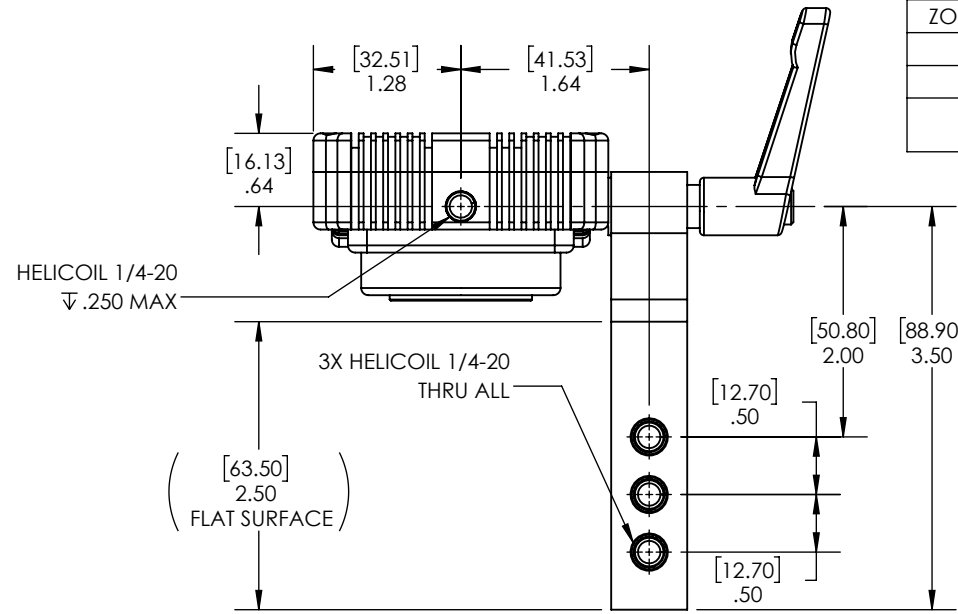


REVISIONS					
ZONE	REV.	ECO #	DESCRIPTION	DATE	APPROVED
	A		INITIAL RELEASE	2/23/2016	A. A
	B	ECO-16-025	RELEASE FRO PRODUCTION, OPTIONAL MOUNTS SHOWN, SEE SHEET 2.	9/23/2016	N. PINOS
	C	ECO-0397	UPDATED OVERALL DRAWING. ADDED OTHER LENS MOUNT DIMENSIONS. ADDED SHEET 3.	12/27/2018	C. VIDAMO



C-MOUNT CONFIGURATION



*ELECTICAL SPECIFICATION ON SHEET 3



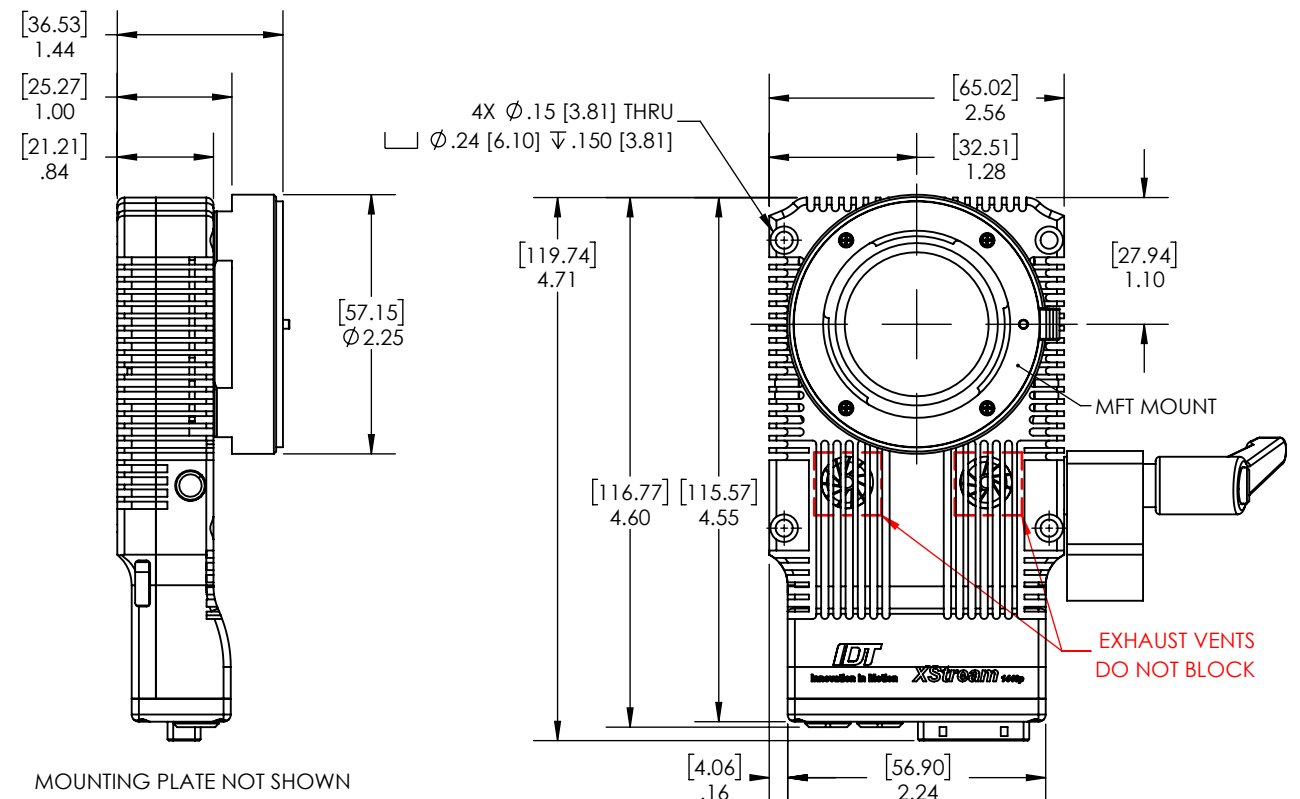
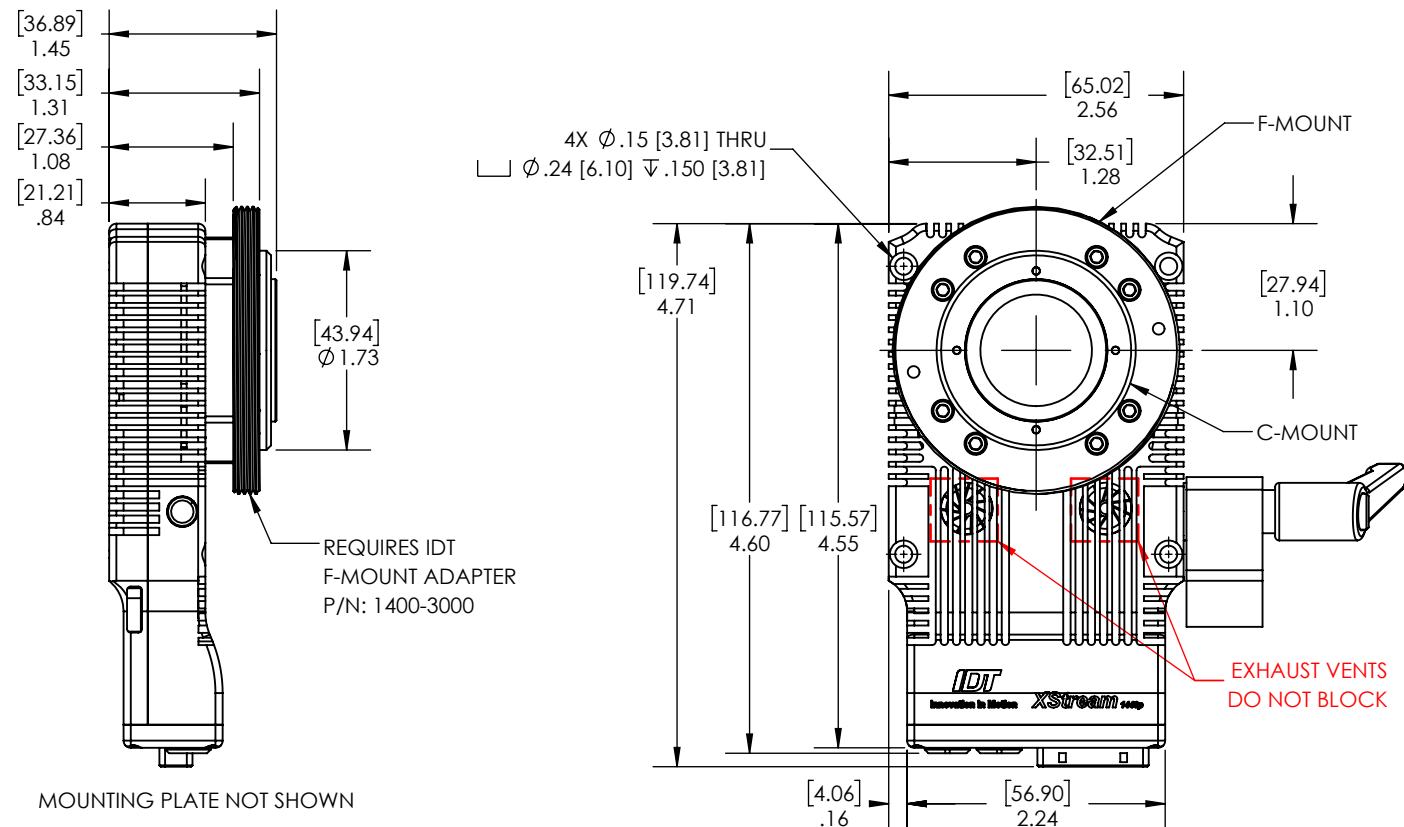
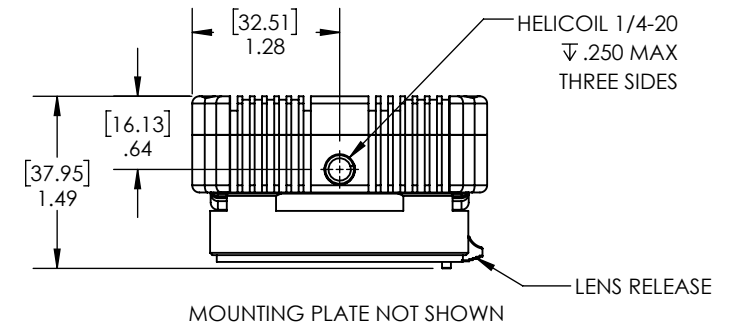
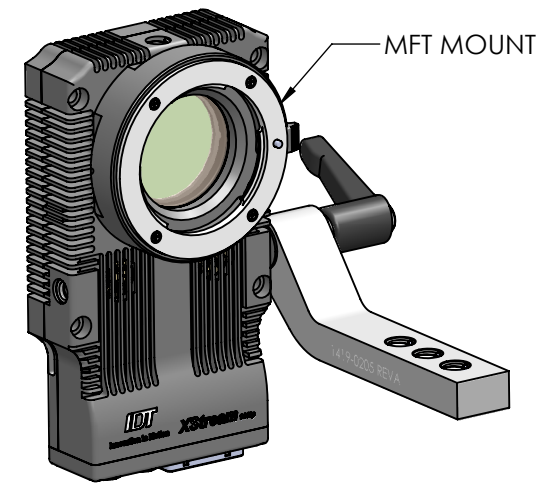
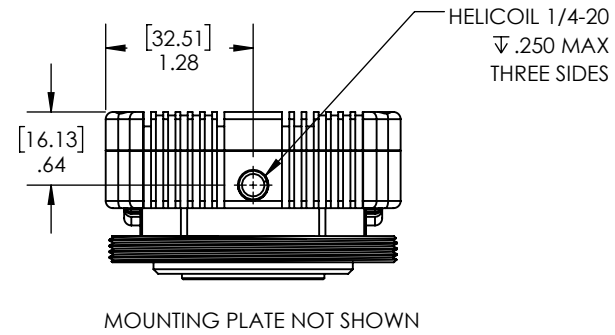
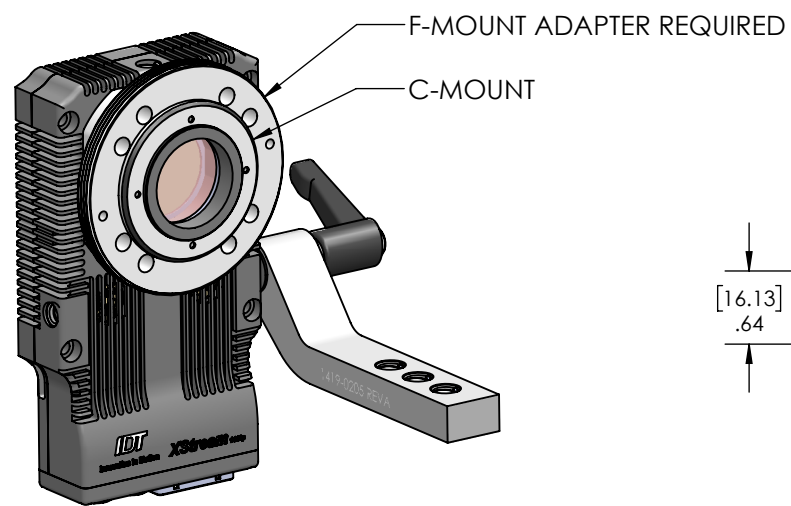
PROPRIETARY AND CONFIDENTIAL THE INFORMATION CONTAINED IN THIS DRAWING IS THE SOLE PROPERTY OF INTEGRATED DESIGN TOOLS, INC. ANY REPRODUCTION IN PART OR AS A WHOLE WITHOUT THE WRITTEN PERMISSION OF INTEGRATED DESIGN TOOLS, INC. IS PROHIBITED.	MATERIAL:	FINISH:	PROJECT NAME: XSTREAM CAMERA	INTEGRATED DESIGN TOOLS, INC 1 WEST MOUNTAIN STREET SUITE 3 PASADENA, CA 91103 TITLE: X-STREAM CAMERA, INTERFACE CONTROL DOCUMENT (ICD)	
	UNLESS OTHERWISE SPECIFIED: DIMENSIONS ARE IN INCHES TOLERANCES ON:				DRAWN: C. VIDAMO 12/28/2018 CHECKED: D. ATOL 12/28/2018 MECH. ENGINEER: C. VIDAMO 12/28/2018 ELECTRICAL ENGINEER: OPERATION MANAGER: PROGRAM MANAGER:
	FRACTIONAL DECIMAL ANGULAR ± 1/16 .X ± .03 ± 1° .XX ± .01 .XXX ± .005				SIZE: B DWG. NO. 1419-0100 SCALE: 3:5 DATE: 12/28/2018
	DO NOT SCALE DRAWING				REV C SHEET 1 OF 3

C / F - MOUNT CONFIGURATION

*ALL OTHER DIMENSIONS REMAINS THE SAME, REFERENCE SHEET 1.

MICRO FOUR THIRDS (MFT) MOUNT CONFIGURATION

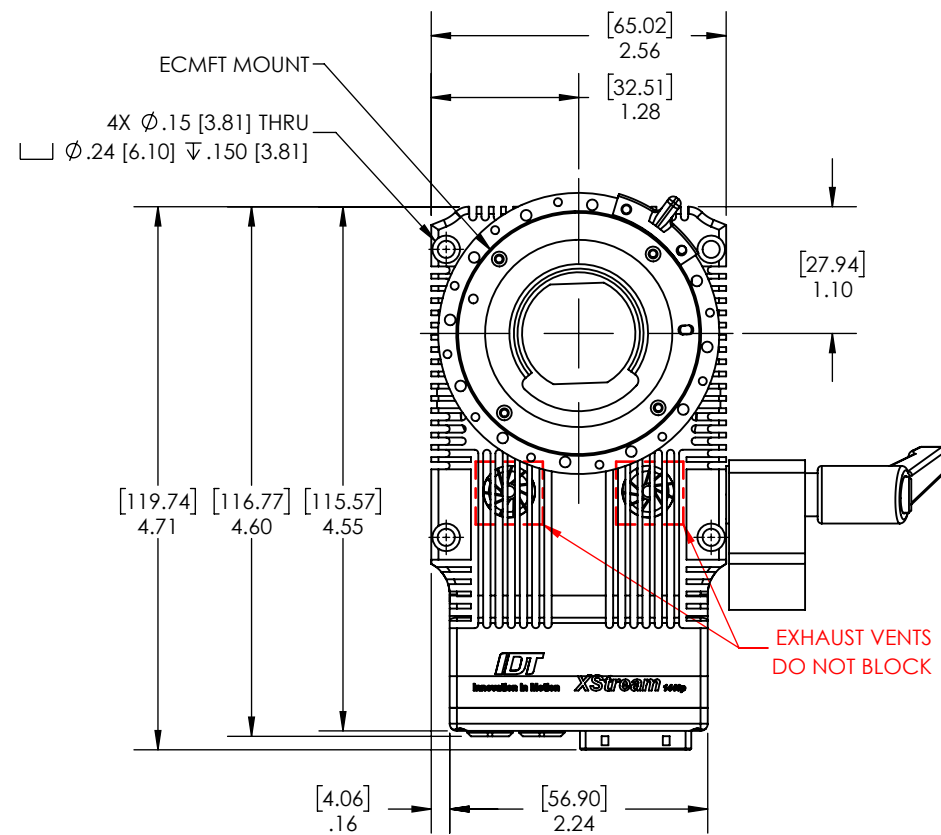
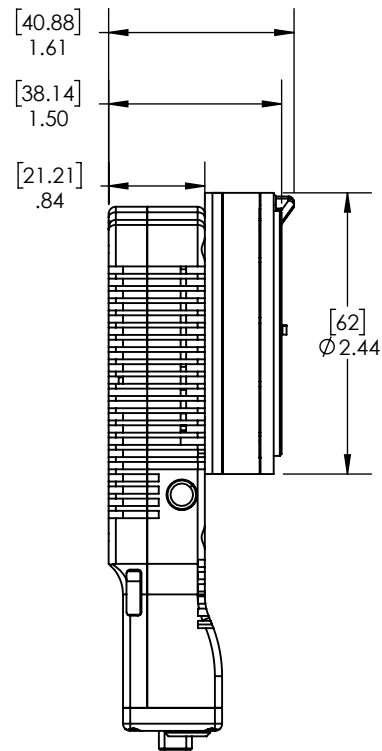
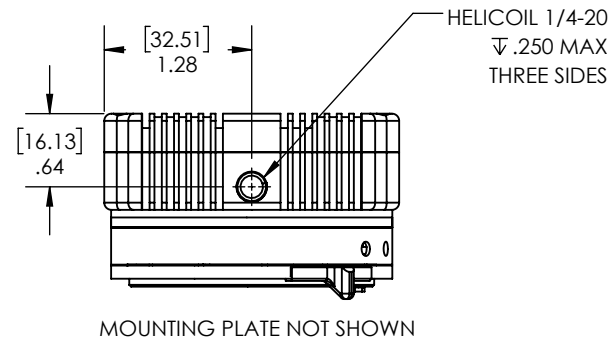
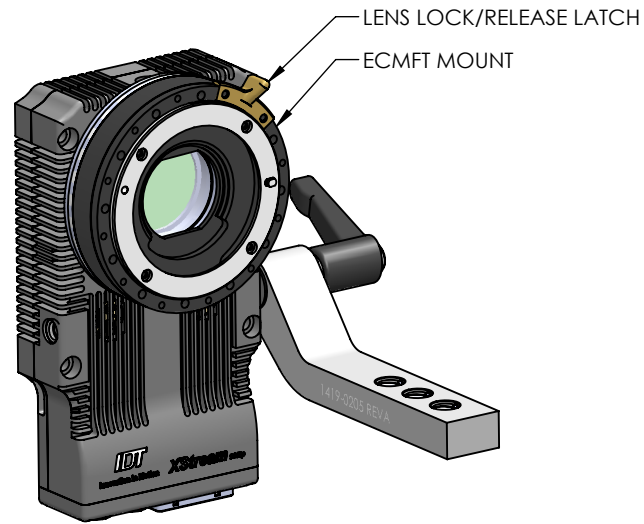
*ALL OTHER DIMENSIONS REMAINS THE SAME, REFERENCE SHEET 1.



PROPRIETARY AND CONFIDENTIAL <small>THE INFORMATION CONTAINED IN THIS DRAWING IS THE SOLE PROPERTY OF INTEGRATED DESIGN TOOLS, INC. ANY REPRODUCTION IN PART OR AS A WHOLE WITHOUT THE WRITTEN PERMISSION OF INTEGRATED DESIGN TOOLS, INC. IS PROHIBITED.</small>	PROJECT NAME: X-STREAM CAMERA	INTEGRATED DESIGN TOOLS, INC <small>1 WEST MOUNTAIN STREET SUITE 3 PASADENA, CA 91103</small>	
	UNLESS OTHERWISE SPECIFIED: DIMENSIONS ARE IN INCHES TOLERANCES ON: FRACTIONAL DECIMAL ANGULAR ± 1/16 X ± .03 ± 1° .XX ± .01 .XXX ± .005	TITLE: X-STREAM CAMERA, INTERFACE CONTROL DOCUMENT (ICD)	
THIRD ANGLE PROJECTION 	DO NOT SCALE DRAWING	SCALE: 3:5 DATE: 12/28/2018	DWG. NO. 1419-0100 SHEET 2 OF 3

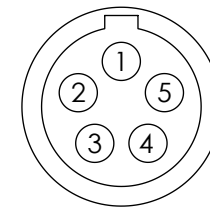
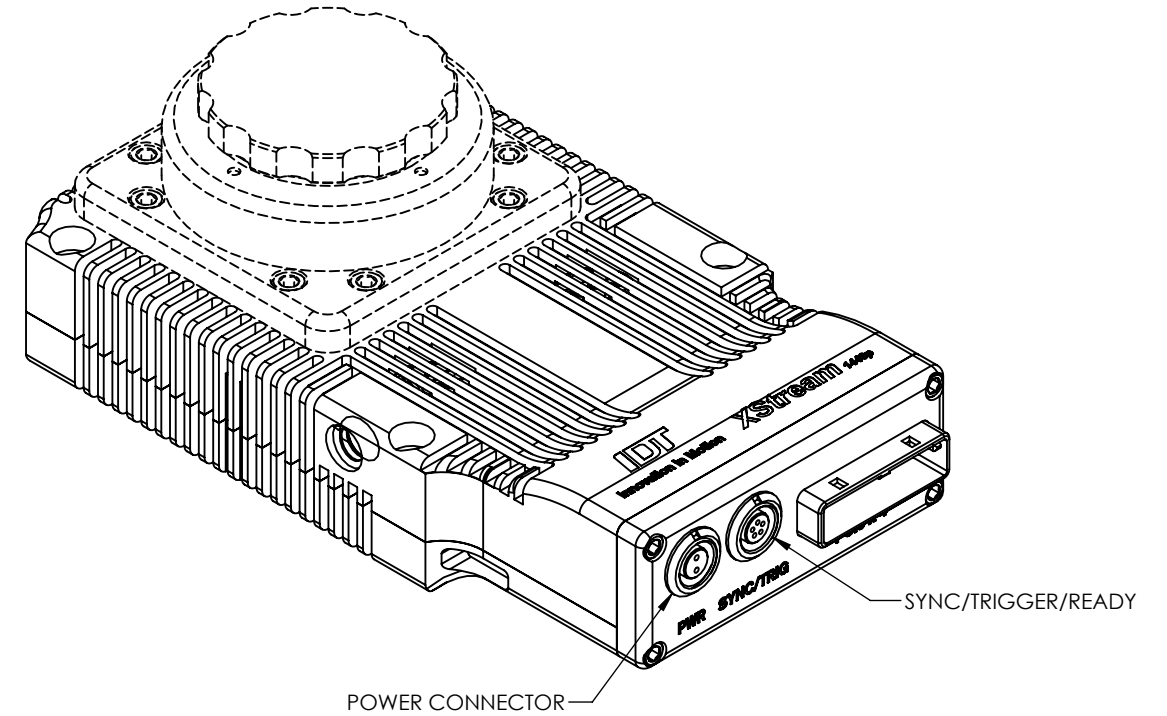
ELECTRONIC CONTROLLED MICRO FOUR THIRDS (ECMFT) MOUNT CONFIGURATION

*ALL OTHER DIMENSIONS REMAINS THE SAME, REFERENCE SHEET 1.

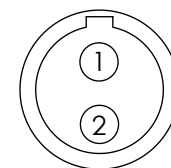


FOR CONNECTOR ELECTRICAL SPECIFICATION REFERENCE ONLY

APPLIES TO ALL LENS MOUNT CONFIGURATIONS



LEMO CONNECTOR B SERIES EGG.0B.305.CLL		
PIN	SIGNAL	TECHNICAL DESCRIPTION
1	TRIGGER	1 kΩ ± 10%, SWITCH CLOSURE TRIGGER
2	SYNC IN	1 kΩ ± 10%, SWITCH CLOSURE TRIGGER
3	READY OUT	100 Ω ± 10%, TTL
4	SYNC OUT	100 Ω ± 10%, TTL
5	SGND	GROUND, DRAIN - SHELL



LEMO CONNECTOR B SERIES EGG.0B.302.CLL		
PIN	SIGNAL	TECHNICAL DESCRIPTION
1	+ POWER	INPUT VOLTAGE: 6 VDC
2	GROUND	GROUND FOR POWER RETURN

PROPRIETARY AND CONFIDENTIAL
THE INFORMATION CONTAINED IN THIS DRAWING IS THE SOLE PROPERTY OF INTEGRATED DESIGN TOOLS, INC. ANY REPRODUCTION IN PART OR AS A WHOLE WITHOUT THE WRITTEN PERMISSION OF INTEGRATED DESIGN TOOLS, INC. IS PROHIBITED.



PROJECT NAME:
X-STREAM CAMERA
UNLESS OTHERWISE SPECIFIED:
DIMENSIONS ARE IN INCHES
TOLERANCES ON:
FRACTIONAL DECIMAL ANGULAR
± 1/16 X ± .03 ± 1°
.XX ± .01
.XXX ± .005
DO NOT SCALE DRAWING

INTEGRATED DESIGN TOOLS, INC
1 WEST MOUNTAIN STREET SUITE 3
PASADENA, CA 91103
TITLE:
X-STREAM CAMERA, INTERFACE
CONTROL DOCUMENT (ICD)
SIZE: B DWG. NO. 1419-0100 REV C
SCALE: 3:5 DATE: 12/28/2018 SHEET 3 OF 3

