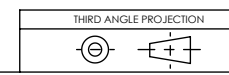
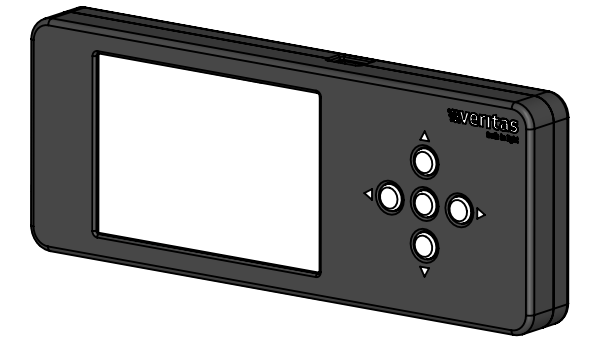
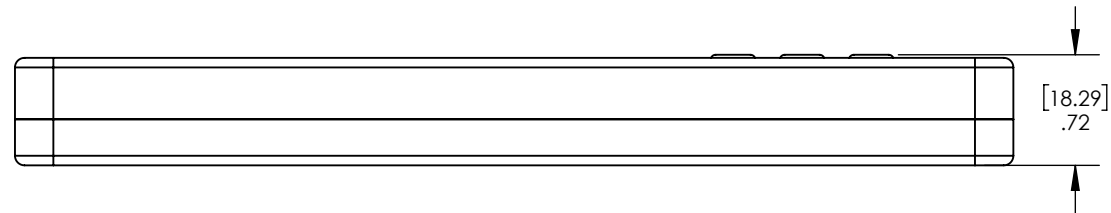
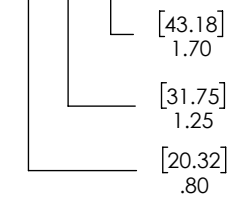
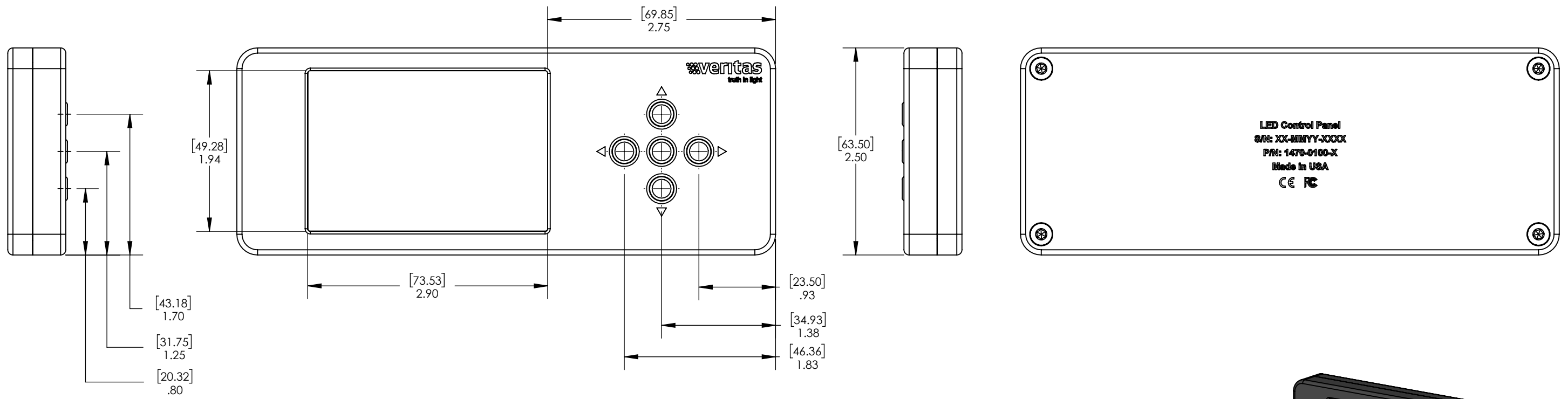
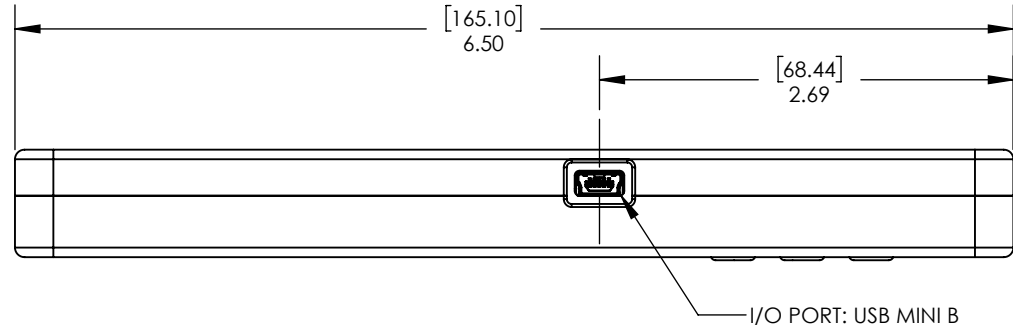


NOTES: UNLESS OTHERWISE SPECIFIED

1. INTERFACE CONTROL DOCUMENT.

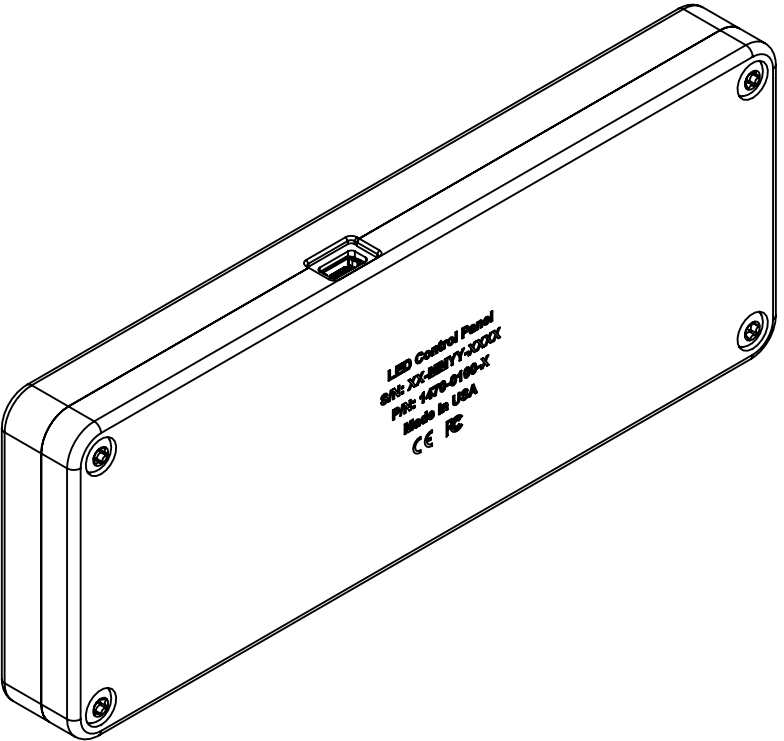
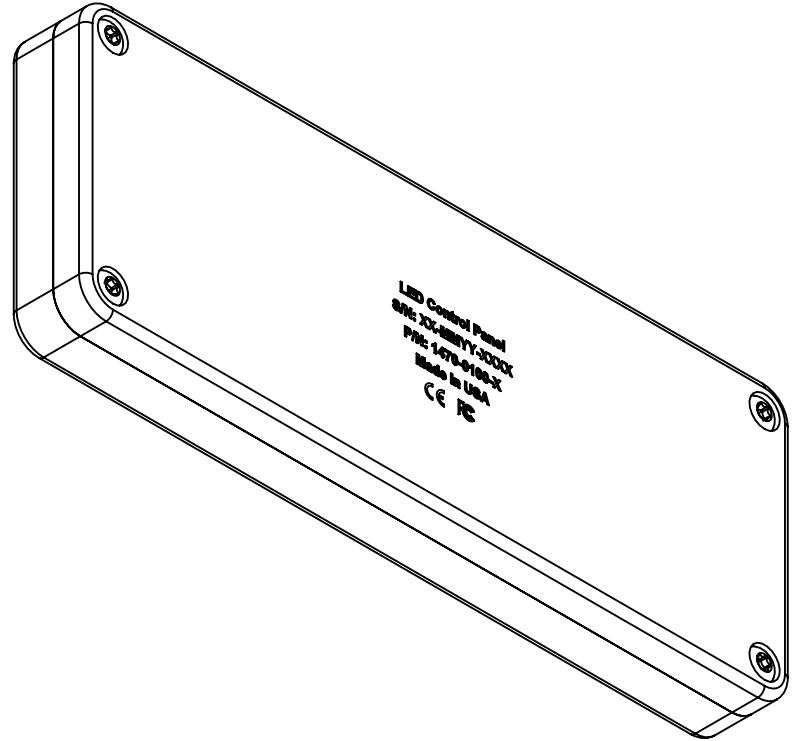
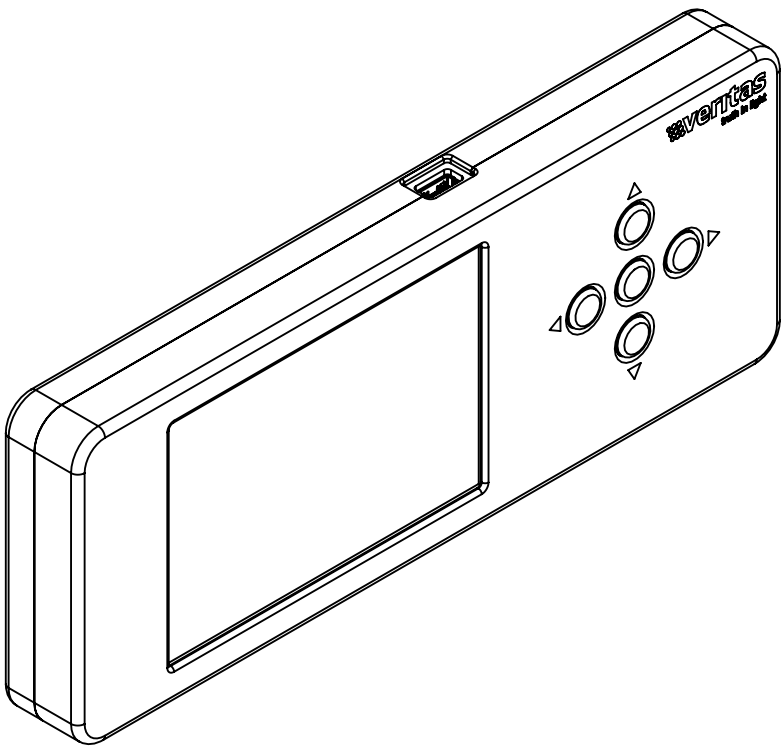
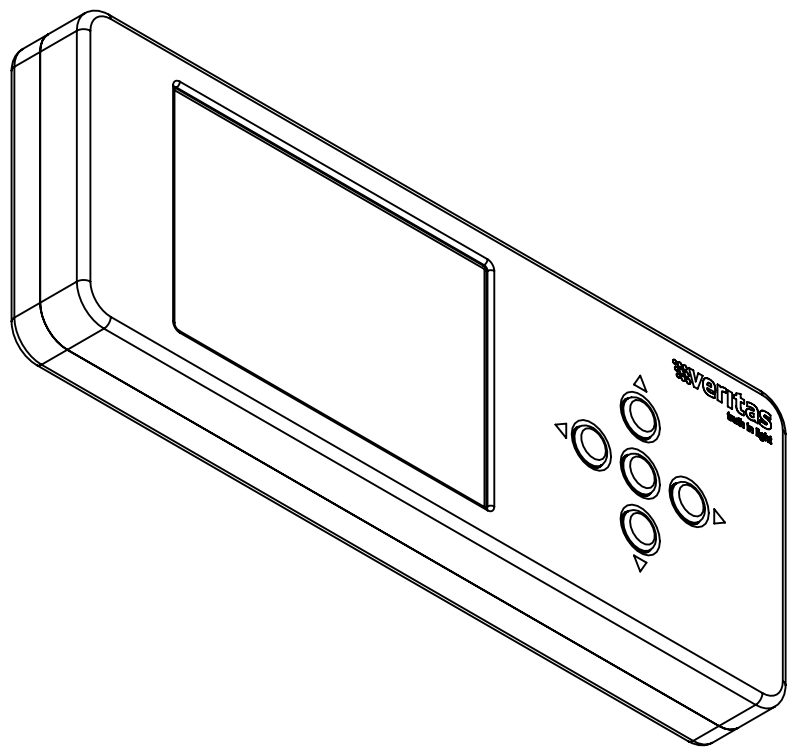
REVISIONS					
ZONE	REV.	ECO #	DESCRIPTION	DATE	APPROVED
	A	-	INITIAL RELEASE FOR PRODUCTION.	11/14/2018	C. VIDAMO
	B	ECO-0442	UPDATED LOGO ON TITLE BLOCK	3/20/2019	C. VIDAMO



<b>PROPRIETARY AND CONFIDENTIAL</b> <small>THE INFORMATION CONTAINED IN THIS DRAWING IS THE SOLE PROPERTY OF INTEGRATED DESIGN TOOLS, INC. ANY REPRODUCTION IN PART OR AS A WHOLE WITHOUT THE WRITTEN PERMISSION OF INTEGRATED DESIGN TOOLS, INC. IS PROHIBITED.</small>	MATERIAL:	FINISH:	PROJECT NAME: <b>LED CONTROL PANEL</b>	<b>INTEGRATED DESIGN TOOLS, INC</b> <small>1 WEST MOUNTAIN STREET SUITE 3                  PASADENA, CA 91103</small>
	UNLESS OTHERWISE SPECIFIED: DIMENSIONS ARE IN INCHES TOLERANCES ON: FRACTIONAL DECIMAL ANGULAR ± 1/16 .X ± .03 ± 1° .XX ± .01 .XXX ± .005			
<b>DO NOT SCALE DRAWING</b>				TITLE: <b>INTERFACE CONTROL DOCUMENT (ICD), LED CONTROL PANEL</b>
			SIZE: <b>B</b>	DWG. NO. <b>1470-0100</b>
			SCALE: 4:5	DATE: 3/20/2019
			SHEET 1 OF 2	REV <b>B</b>

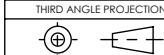

8 7 6 5 4 3 2 1

ISOMETRIC VIEWS



A  
B  
C  
D  
E

A  
B  
C  
D  
E

<b>PROPRIETARY AND CONFIDENTIAL</b> <small>THE INFORMATION CONTAINED IN THIS DRAWING IS THE SOLE PROPERTY OF INTEGRATED DESIGN TOOLS, INC. ANY REPRODUCTION IN PART OR AS A WHOLE WITHOUT THE WRITTEN PERMISSION OF INTEGRATED DESIGN TOOLS, INC. IS PROHIBITED.</small>	<b>PROJECT NAME:</b> <b>LED CONTROL PANEL</b>	<b>INTEGRATED DESIGN TOOLS, INC</b> <small>1 WEST MOUNTAIN STREET SUITE 3          PASADENA, CA 91103</small>
	<small>UNLESS OTHERWISE SPECIFIED:          DIMENSIONS ARE IN INCHES          TOLERANCES ON:</small> FRACTIONAL DECIMAL ANGULAR $\pm 1/16$ $X \pm .03$ $\pm 1^\circ$ $.XX \pm .01$ $.XXX \pm .005$	<b>TITLE:</b> <b>INTERFACE CONTROL DOCUMENT (ICD)</b>
		<b>DO NOT SCALE DRAWING</b>
<b>SIZE:</b> <b>B</b>		<b>DWG. NO.:</b> <b>1470-0100</b>
<b>SCALE:</b> 4:5		<b>DATE:</b> 3/20/2019
		<b>REV B</b>
		<b>SHEET 2 OF 2</b>

8 7 6 5 4 3 2 1