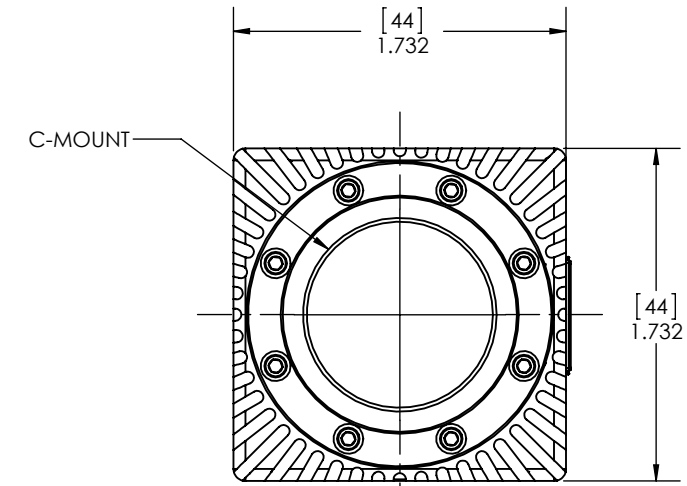
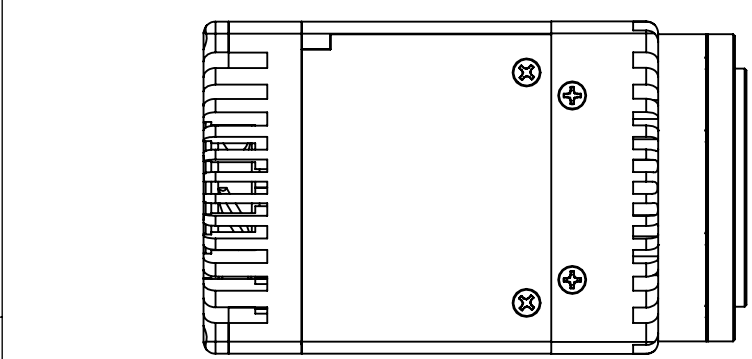
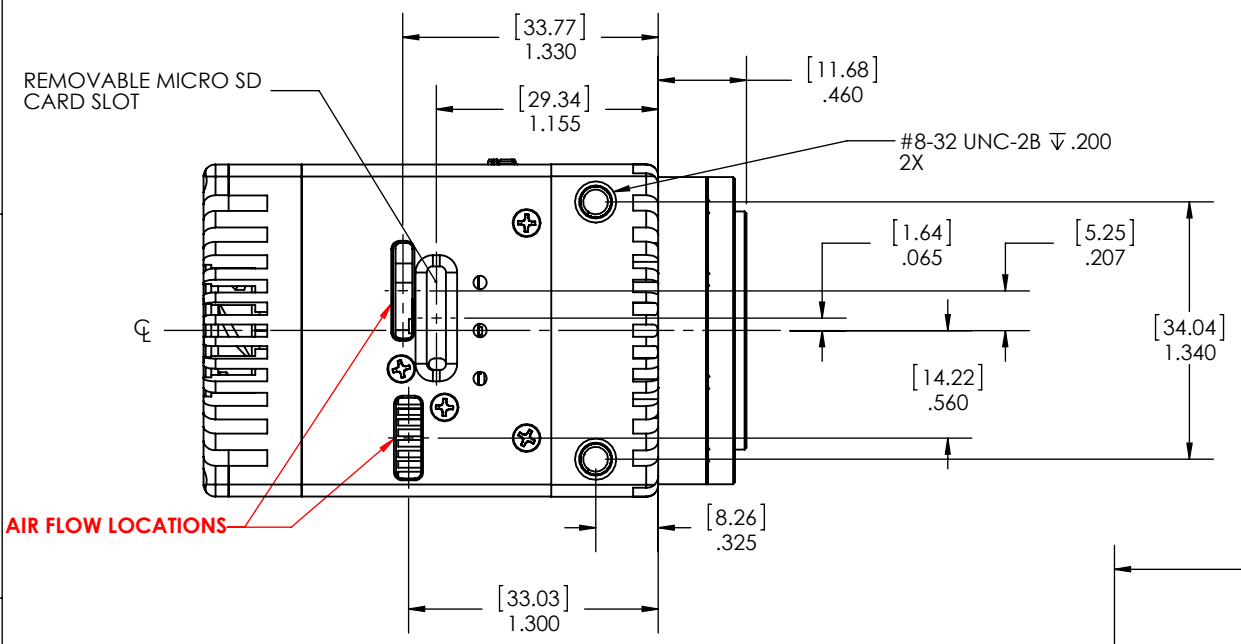


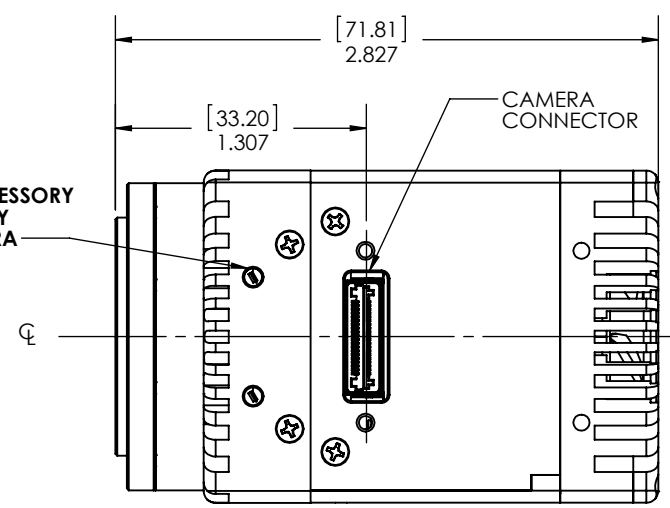
NOTES: UNLESS OTHERWISE SPECIFIED



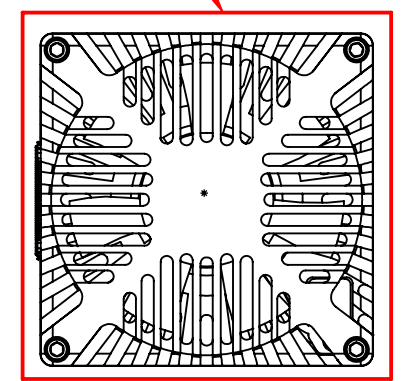
REVISIONS					
ZONE	REV.	ECO #	DESCRIPTION	DATE	APPROVED
	A	-	INITIAL RELEASE FOR PRODUCTION.	12/01/2016	B. MOAK
	B		ADDED APPROX. .034" TO FRONT OF CAMERA FOR FOCUS THRU INFINITY. RE-DIMENSIONED HOLE LOCATIONS TO FLAT OF FRONT HOUSING.	5/5/2017	B. MOAK



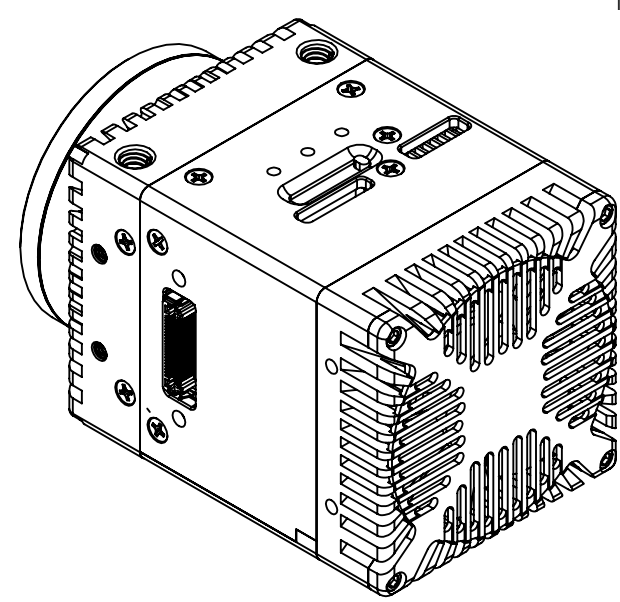
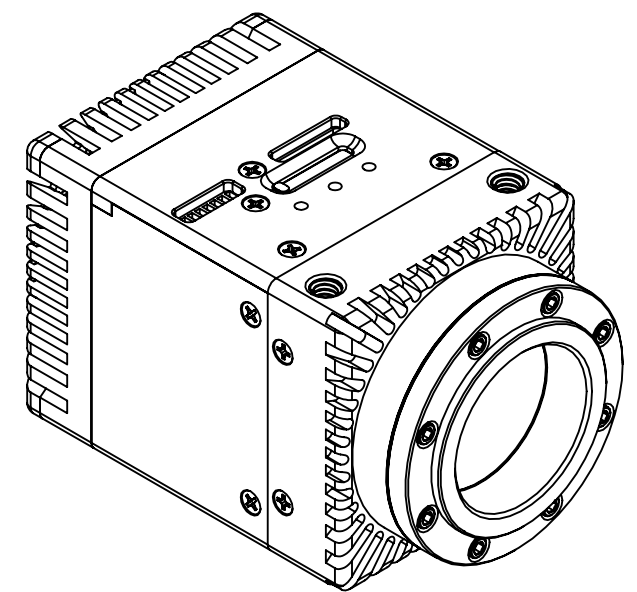
HOLES FOR ACCESSORY MOUNTING ONLY NOT FOR CAMERA MOUNTING 4X



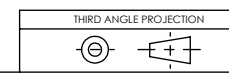
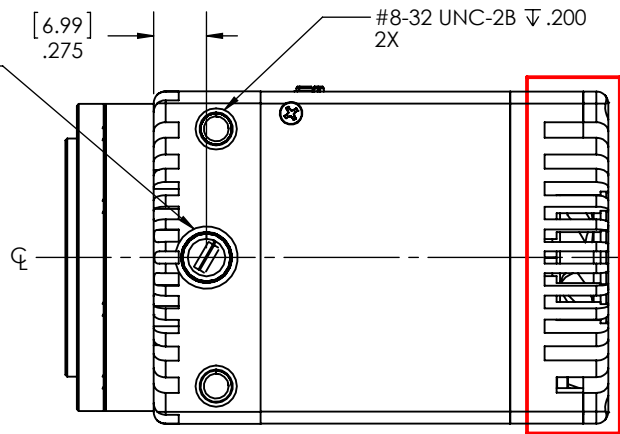
AIR FLOW LOCATION DO NOT BLOCK



AIR FLOW LOCATION DO NOT BLOCK ALL FOUR SIDES



1/4-20 UNC-2B .200 TRI-POD MOUNT

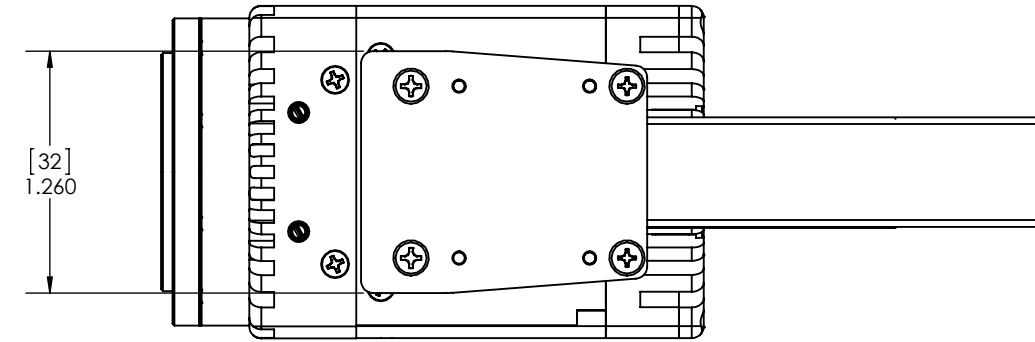
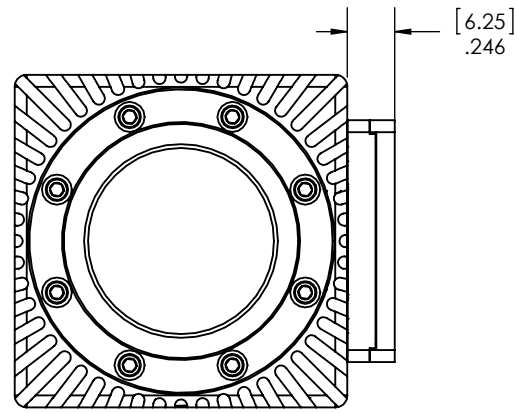


PROPRIETARY AND CONFIDENTIAL THE INFORMATION CONTAINED IN THIS DRAWING IS THE SOLE PROPERTY OF INTEGRATED DESIGN TOOLS, INC. ANY REPRODUCTION IN PART OR AS A WHOLE WITHOUT THE WRITTEN PERMISSION OF INTEGRATED DESIGN TOOLS, INC. IS PROHIBITED.	UNLESS OTHERWISE SPECIFIED: DIMENSIONS ARE IN INCHES TOLERANCES ON: FRACTIONAL DECIMAL ANGULAR $\pm 1/16$.X $\pm .03$ $\pm 1^\circ$.XX $\pm .01$.XXX $\pm .005$	PROJECT NAME: CRASH CAM MINI	INTEGRATED DESIGN TOOLS, INC 1 WEST MOUNTAIN STREET SUITE 3 PASADENA, CA 91103
		DRAWN: B. MOAK DATE: 12/01/2016 CHECKED: X. XXXX DATE: 12/01/2016 MECH. ENGINEER: B. MOAK DATE: 12/01/2016 ELECTRICAL ENGINEER: OPERATION MANAGER: PROGRAM MANAGER:	TITLE: CRASH CAM MINI ASSY, ICD
THIRD ANGLE PROJECTION 		SIZE: B DWG. NO. 1421-0100 REV B	SCALE: 1:1 DATE: 5/10/2017 SHEET 1 OF 2

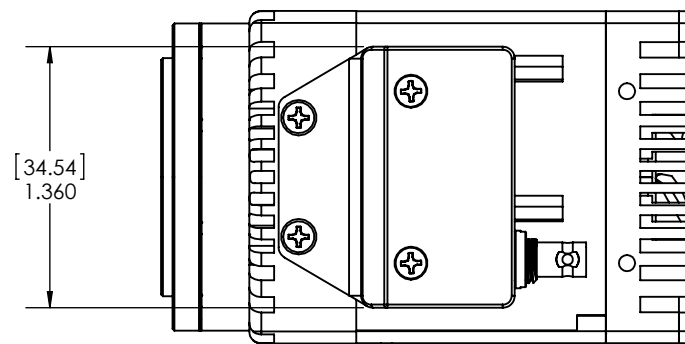
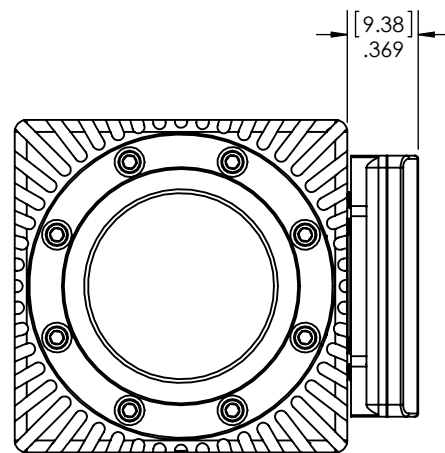
8 7 6 5 4 3 2 1

CAEMRA WITH SIDE ADAPTER CONFIGURATIONS

CAMERA WITH DOCK ADAPTER



CAMERA WITH USB-C ADAPTER



A
B
C
D
E

A
B
C
D
E

PROPRIETARY AND CONFIDENTIAL <small>THE INFORMATION CONTAINED IN THIS DRAWING IS THE SOLE PROPERTY OF INTEGRATED DESIGN TOOLS, INC. ANY REPRODUCTION IN PART OR AS A WHOLE WITHOUT THE WRITTEN PERMISSION OF INTEGRATED DESIGN TOOLS, INC. IS PROHIBITED.</small>	PROJECT NAME: CRASH CAM MINI	INTEGRATED DESIGN TOOLS, INC <small>1 WEST MOUNTAIN STREET SUITE 3 PASADENA, CA 91103</small>
	UNLESS OTHERWISE SPECIFIED: DIMENSIONS ARE IN INCHES TOLERANCES ON: FRACTIONAL DECIMAL ANGULAR ± 1/16 X ± .03 ± 1° .XX ± .01 .XXX ± .005	TITLE: CRASH CAM MINI ASSY, ICD
THIRD ANGLE PROJECTION 	IDT	SIZE: B DWG. NO. 1421-0100 REV B
DO NOT SCALE DRAWING		SCALE: 1:1 DATE: 5/10/2017 SHEET 2 OF 2

8 7 6 5 4 3 2 1