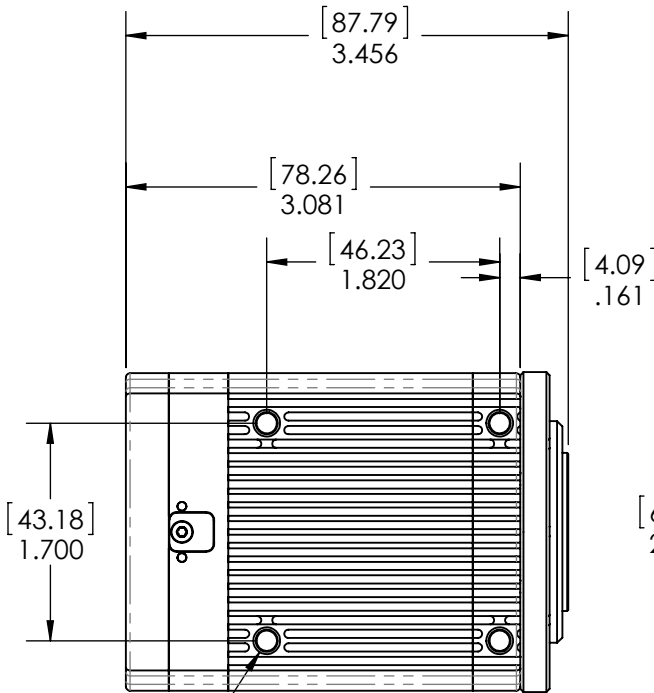
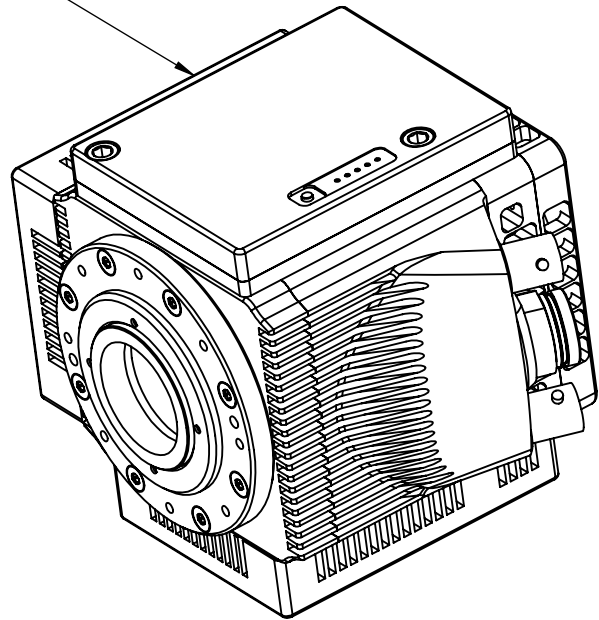


INTERFACE CONTROL DOCUMENT

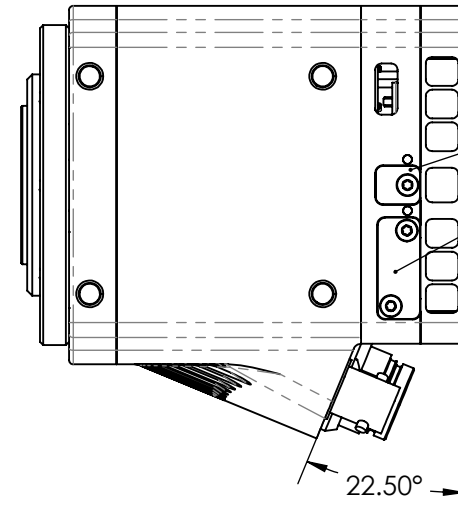
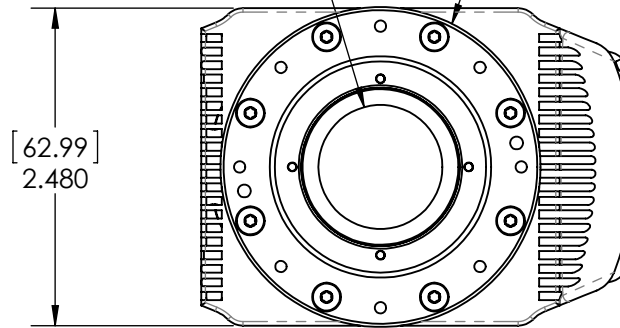
1. MASS PROPERTIES: MASS = 1.52 POUNDS (estimated)
 CENTER OF MASS: (INCHES) X = 1.6 Y = 0.15 Z = 0.0 (estimated)

REVISIONS				
ZONE	REV.	DESCRIPTION	DATE	APPROVED
	J	INITIAL RELEASE	5/02/2015	

CAMERA WITH OPTIONAL BATTERY AND TWO SIDE FANS



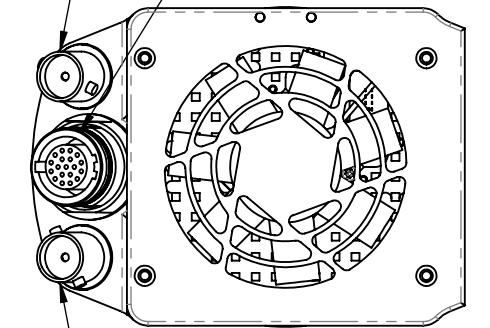
C-MOUNT F-MOUNT



FAN CONNECTOR ON THREE SIDES
 BATTERY AND PROGRAMMING CONNECTOR ON TOP

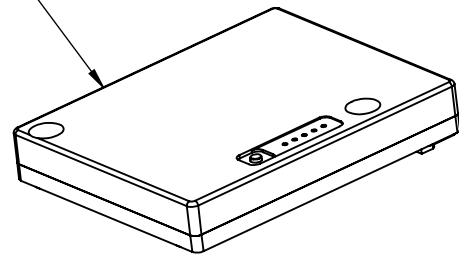
BNC HD SDI

LEMO M-SERIES HEN.2M.319.XLNP ON THE LEFT SIDE

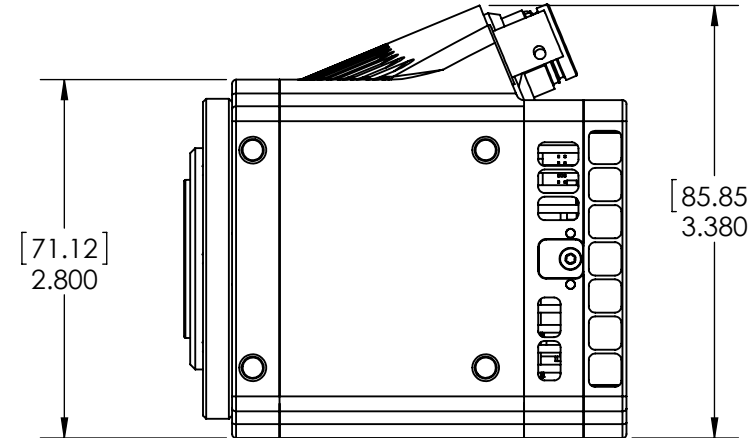
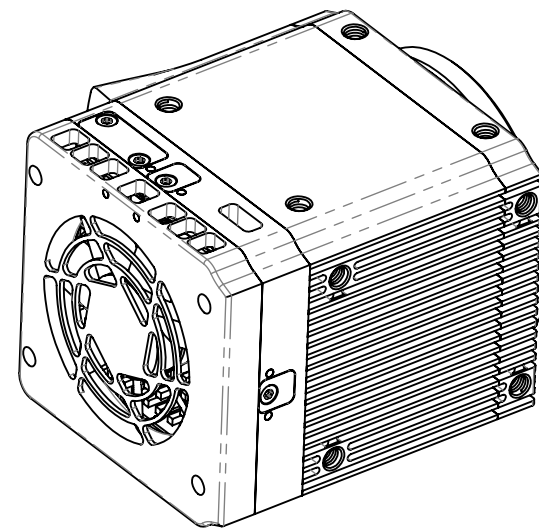
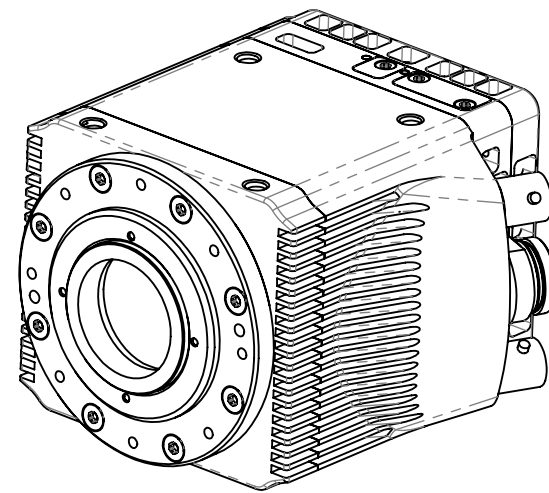
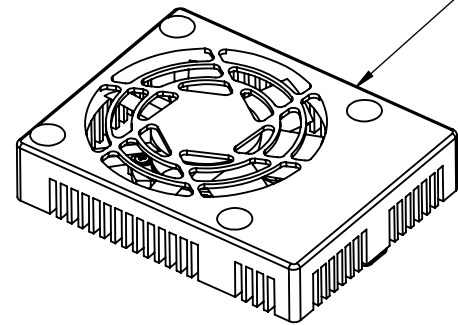


BNC ADDITIONAL SYNC

OPTIONAL 3.8 WH BATTERY



OPTIONAL SIDE FAN



#8-32 UNC-2B ∇ .200
 HELICOIL NAS 1130-08-10
 4X ON THREE SIDES

PROPRIETARY AND CONFIDENTIAL THE INFORMATION CONTAINED IN THIS DRAWING IS THE SOLE PROPERTY OF INTEGRATED DESIGN TOOLS, INC. ANY REPRODUCTION IN PART OR AS A WHOLE WITHOUT THE WRITTEN PERMISSION OF INTEGRATED DESIGN TOOLS, INC. IS PROHIBITED.	INTERPRET THIS DRAWING PER ASME Y14.5M-1994 UNLESS OTHERWISE SPECIFIED: DIMENSIONS ARE IN INCHES TOLERANCES ON: FRACTIONAL DECIMAL ANGULAR ± 1/16 .X ± .1 ± 1° .XX ± .03 .XXX ± .010	PROJECT NAME: OS2 CAMERA	INTEGRATED DESIGN TOOLS, INC 1 WEST MOUNTAIN STREET SUITE 3 PASADENA, CA 91103
	DO NOT SCALE DRAWING	DRAWN: A. ANDRYUKOV 8/11/2015 CHECKED: E. HEININGER 8/11/2015 RECH. ENGINEER: A. ANDRYUKOV 8/11/2015 OPERATOR: [blank] PROGRAM MANAGER: [blank] 12/09/2014	TITLE: INTERFACE CONTROL DOCUMENT (ICD), OS CRASH CAM

THIRD ANGLE PROJECTION		
NEXT ASSY	USED ON	
APPLICATION		



Monday, August 22, 2016 3:01:25 PM
 S:\proj\1406 OS2 CAMERA\1406 OS2 CAMERA Mechanical\1406 OS2 CAMERA ASSY\CAD\CRAASH CAMERA ICD