

INTERACE CONTROL DOCUMENT

# miniCONSTELLATION™ 120

## 120WATT INTELLIGENT LED LUMINAIRE - 82 FWHM BEAM ANGLE

REVISIONS					
ZONE	REV.	ECO #	DESCRIPTION	DATE	APPROVED
	A	ECO-14-011	INITIAL RELEASE.	05/16/2014	S. PARIS

1. MASS PROPERTIES: MASS = 0.734 LBS; 11.75 OZ; 333 GRAMS  
 CENTER OF MASS: (INCHES) X= X.X, Y=X.X, Z=X.X

2. CONNECTORS:

J1: CHANNEL SIGNAL/POWER  
 RECEPTACLE 6-PIN, SIZE 1, B-SERIES LEMO,  
 ALTERNATE KEY: A  
 LEMO P/N: ECG.1B.306.CLV  
 MATING PLUG: FGG.1B.306.CYM OR SIMILAR  
 STRAIGHT LEMO PLUG

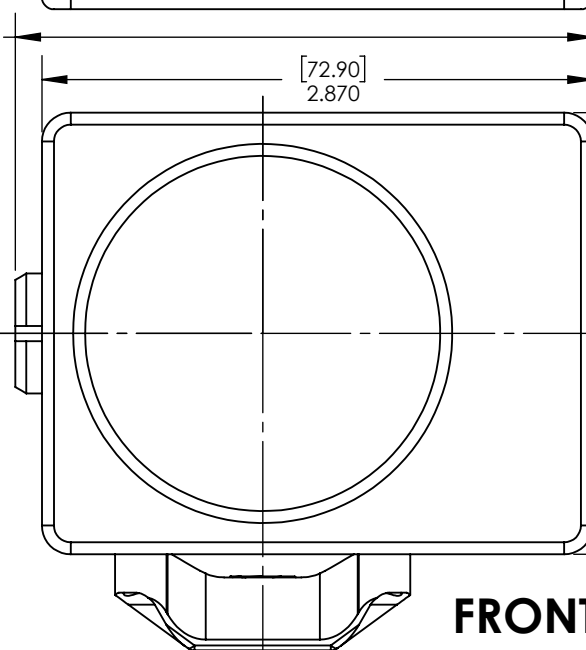
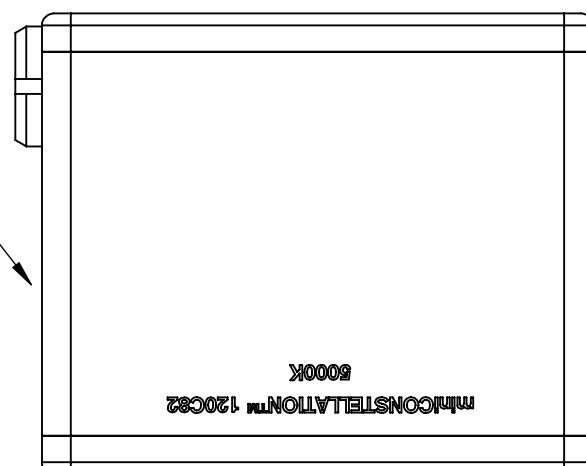
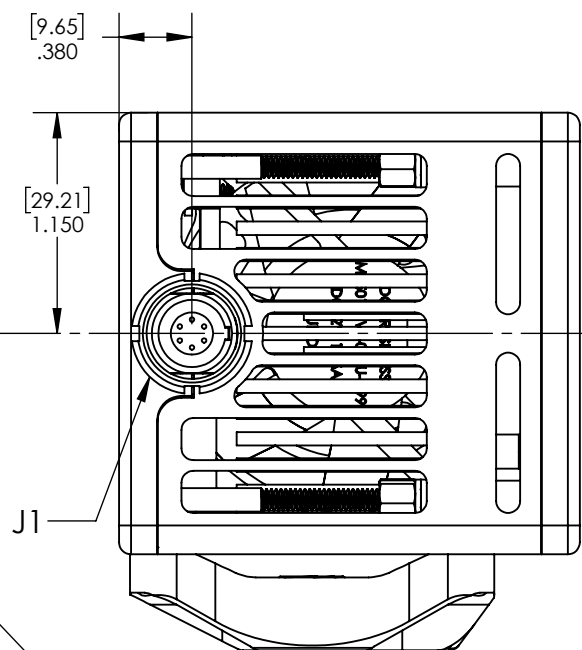
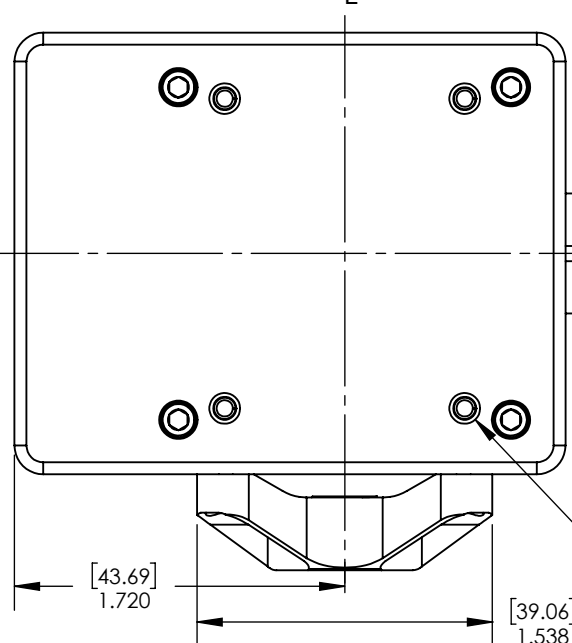
3. VERITAS miniCONSTELLATION TRIPOD MOUNT(S)  
 CAN BE MOUNTED EITHER ON BASE OR REAR.

4. TO PREVENT DAMAGE TO LIGHT AND SURFACE DUE TO EXCESSIVE  
 HEAT BUILD UP, DO NOT OPERATE LIGHT FACE DOWN ON ANY SURFACE.

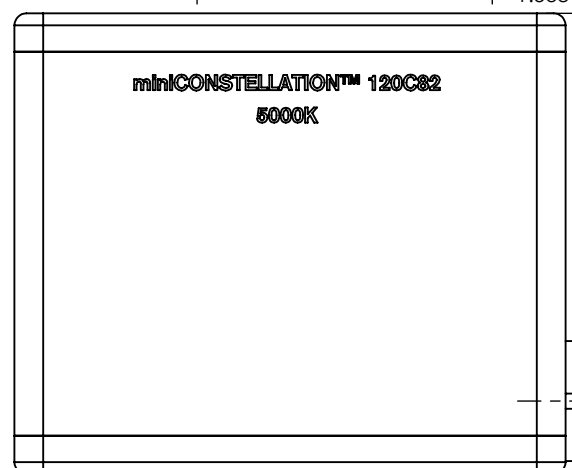
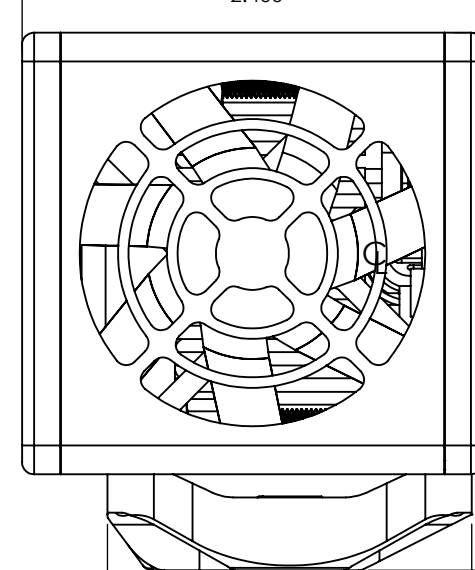
**AIR EXHAUST SIDE  
 DO NOT OBSTRUCT**

**AIR INLET SIDE  
 DO NOT OBSTRUCT**

**REAR VIEW**



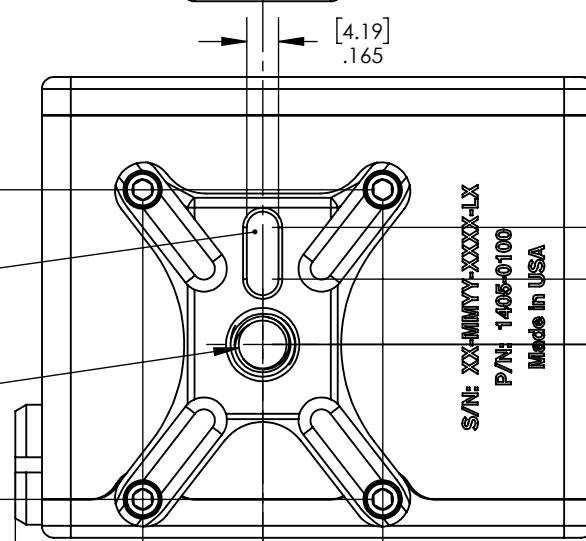
**FRONT VIEW**



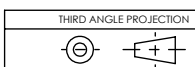
8X #4-40 MOUNTING HOLES  
 $\nabla$  .212 [5.38]  
 ACCEPTS VERITAS miniC TRIPOD MOUNT(S)  
 ON BASE OR REAR OF LIGHT HEAD

TRIPOD ANTI-ROTATION  
 PIN SLOT  
 $\nabla$  0.250 [6.35]

1/4-20 MOUNTING HOLE  
 $\nabla$  0.375 [9.53]



<b>PROPRIETARY AND CONFIDENTIAL</b> THE INFORMATION CONTAINED IN THIS DRAWING IS THE SOLE PROPERTY OF INTEGRATED DESIGN TOOLS, INC. ANY REPRODUCTION IN PART OR AS A WHOLE WITHOUT THE WRITTEN PERMISSION OF INTEGRATED DESIGN TOOLS, INC. IS PROHIBITED.	MATERIAL: 1	FINISH: 2	PROJECT NAME: miniCONSTELLATION 120	<b>INTEGRATED DESIGN TOOLS, INC</b> 1 WEST MOUNTAIN STREET SUITE 3 PASADENA, CA 91103
	UNLESS OTHERWISE SPECIFIED: DIMENSIONS ARE IN INCHES TOLERANCES ON: FRACTIONAL DECIMAL ANGULAR $\pm 1/16$ .X $\pm .03$ $\pm 1^\circ$ .XX $\pm .01$ .XXX $\pm .005$			
<b>veritas</b> truth in light			TITLE: INTERFACE CONTROL DOCUMENT (ICD), miniCONSTELLATION-120 SIZE: <b>B</b> DWG. NO. 1405-0100 SCALE: 1:1	REV <b>A</b> DATE: 8/29/2018 SHEET 1 OF 2



8

7

6

5

4

3

2

1

A

B

C

D

E

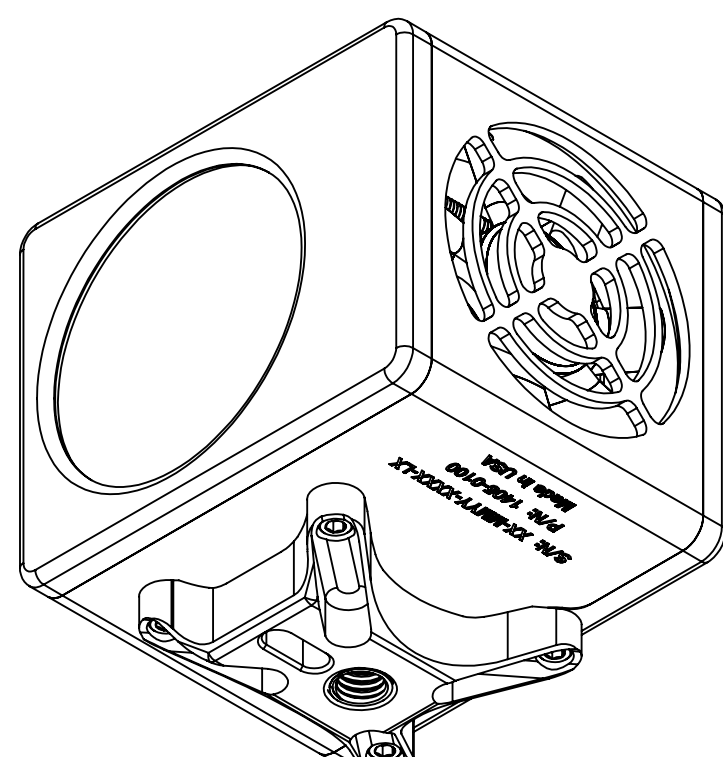
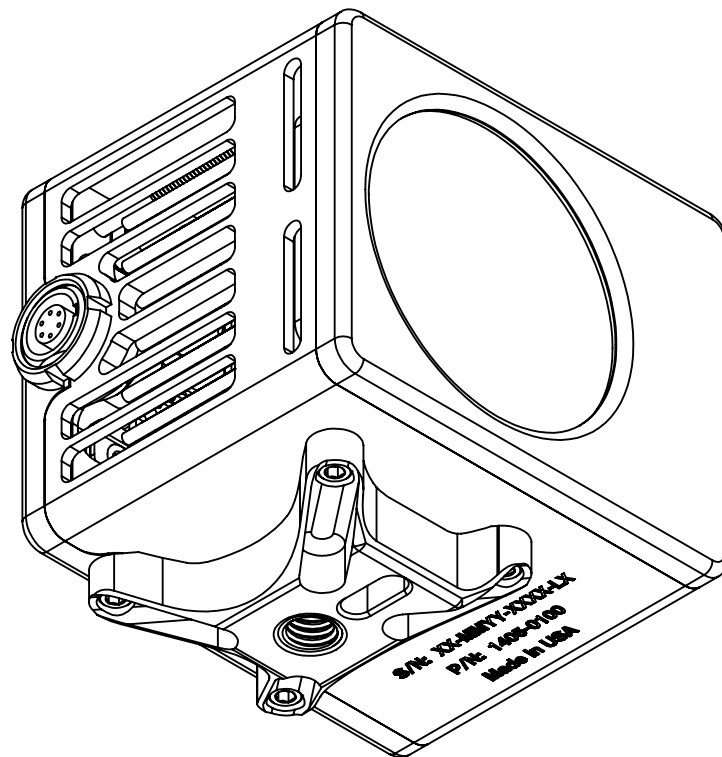
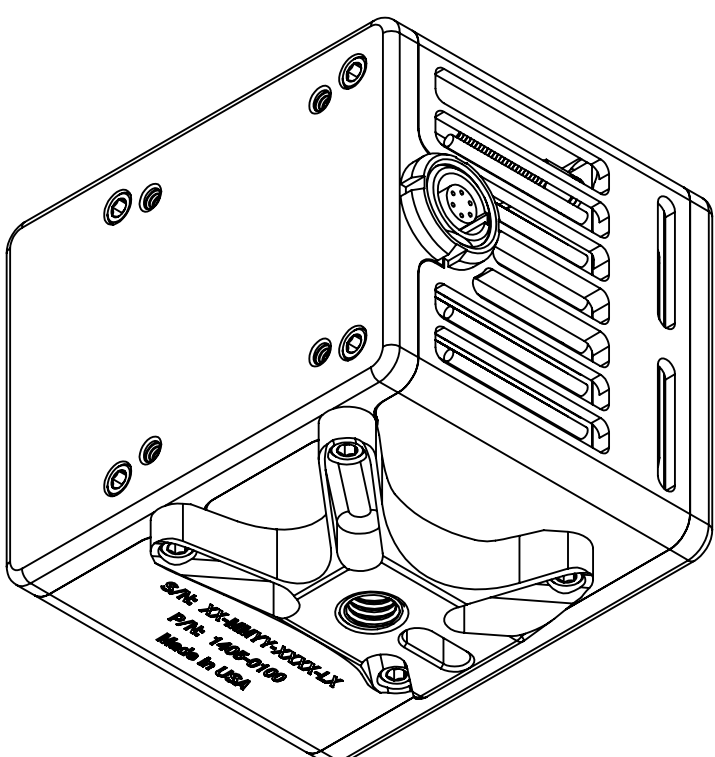
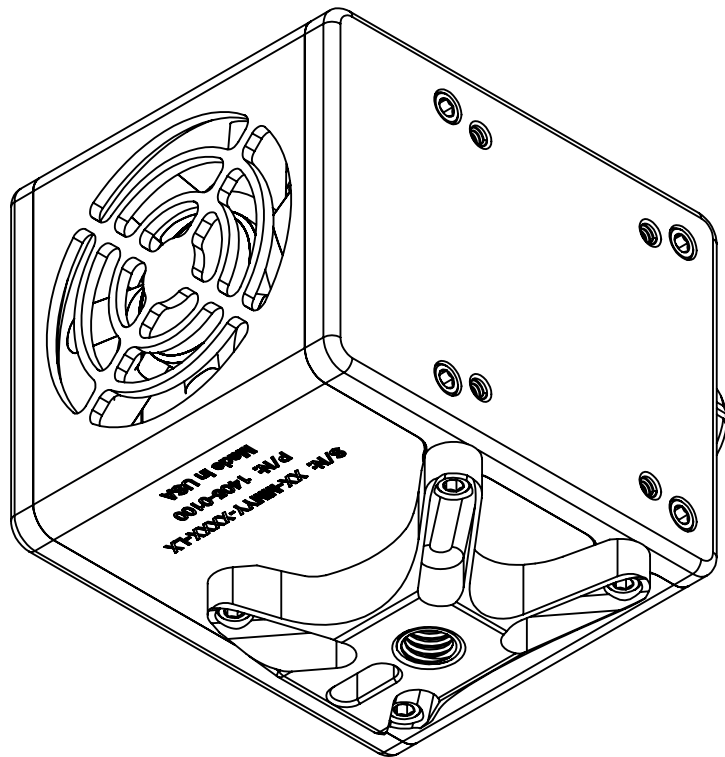
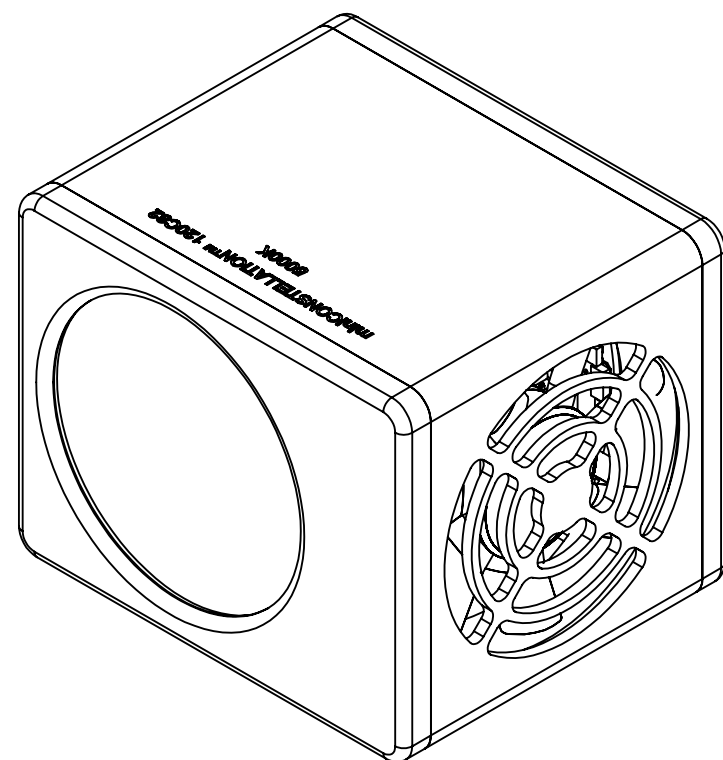
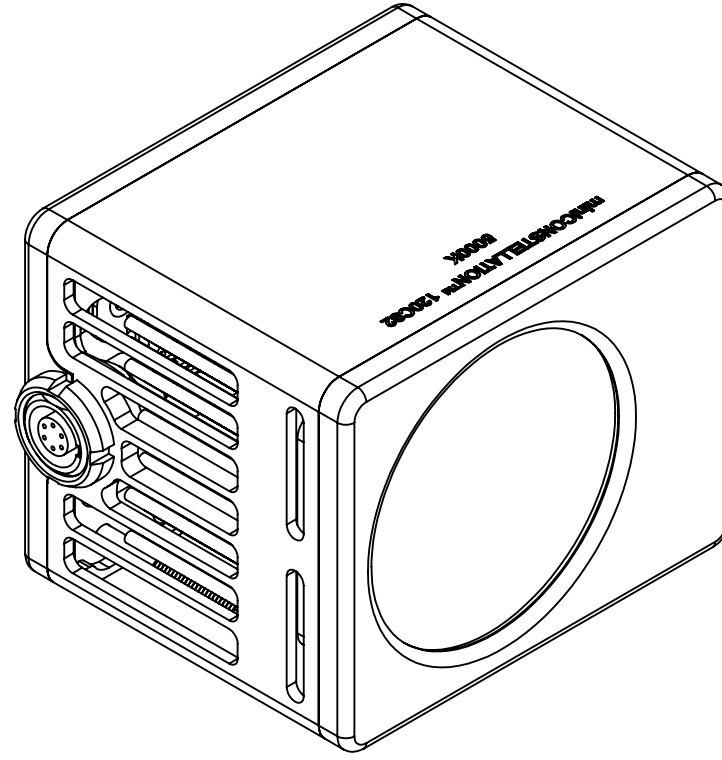
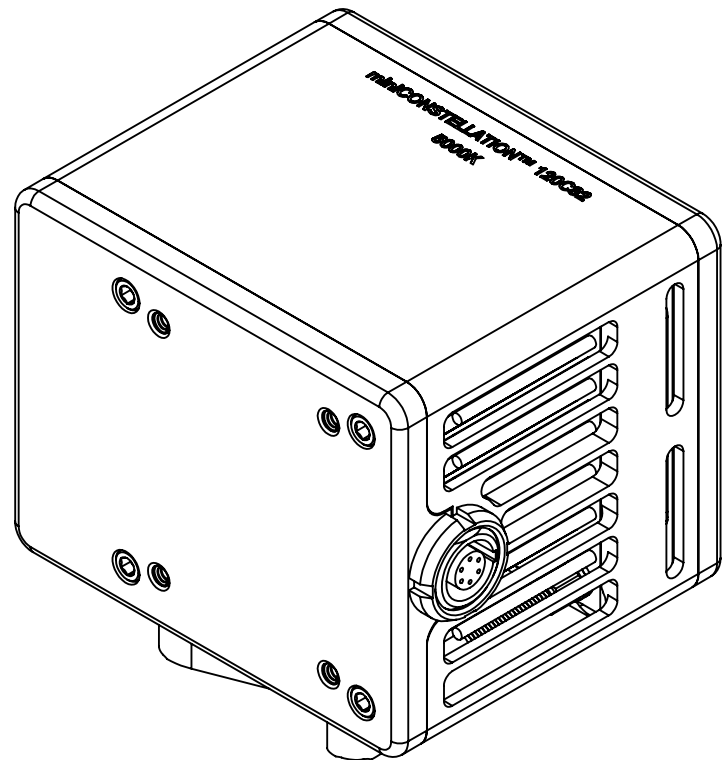
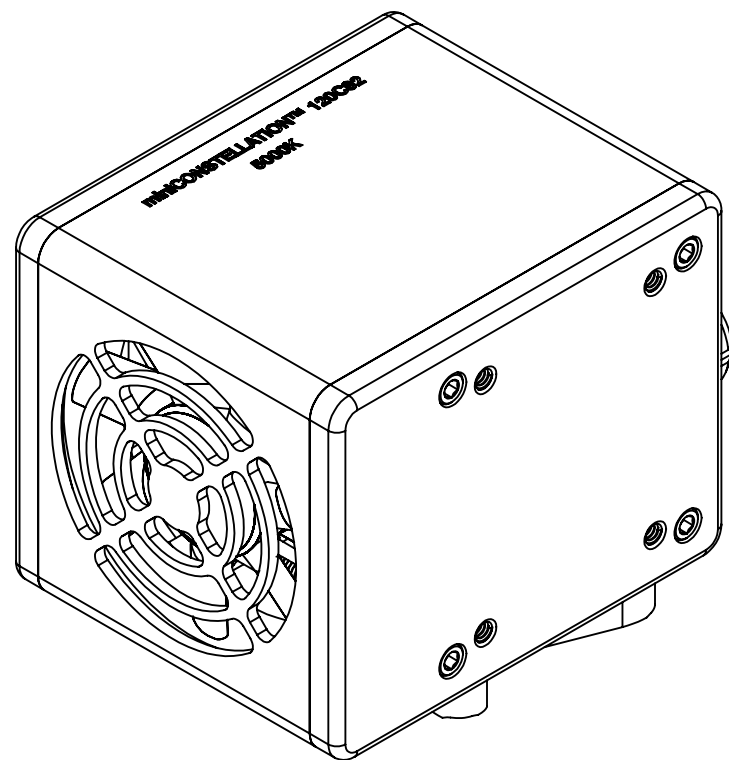
A

B

C

D

E



### ISOMETRIC VIEWS

<b>PROPRIETARY AND CONFIDENTIAL</b> <small>THE INFORMATION CONTAINED IN THIS DRAWING IS THE SOLE PROPERTY OF INTEGRATED DESIGN TOOLS, INC. ANY REPRODUCTION IN PART OR AS A WHOLE WITHOUT THE WRITTEN PERMISSION OF INTEGRATED DESIGN TOOLS, INC. IS PROHIBITED.</small>	PROJECT NAME: <b>miniCONSTELLATION 120</b>	<b>INTEGRATED DESIGN TOOLS, INC</b> <small>1 WEST MOUNTAIN STREET SUITE 3          PASADENA, CA 91103</small>	
	UNLESS OTHERWISE SPECIFIED: DIMENSIONS ARE IN INCHES TOLERANCES ON: FRACTIONAL DECIMAL ANGULAR $\pm 1/16$ $X \pm .03$ $\pm 1^\circ$ $.XX \pm .01$ $.XXX \pm .005$	TITLE: <b>INTERFACE CONTROL DOCUMENT (ICD),          miniCONSTELLATION-120</b>	
		SIZE: <b>B</b>	DWG. NO. <b>1405-0100</b>
<b>DO NOT SCALE DRAWING</b>	SCALE: 1:1	DATE: 8/29/2018	SHEET 2 OF 2

8

7

6

5

4

3

2

1