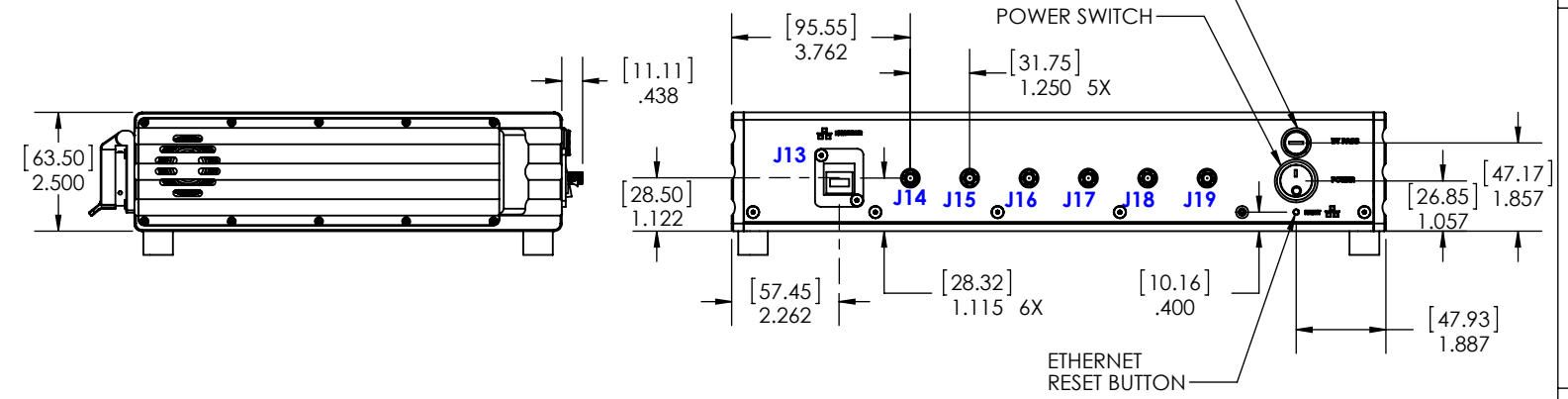
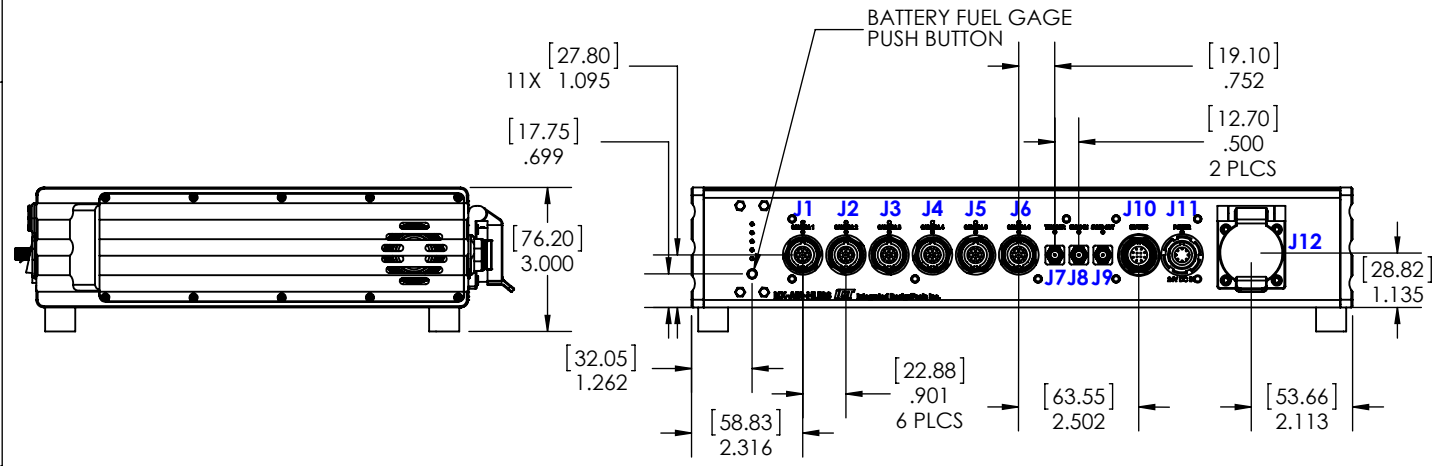
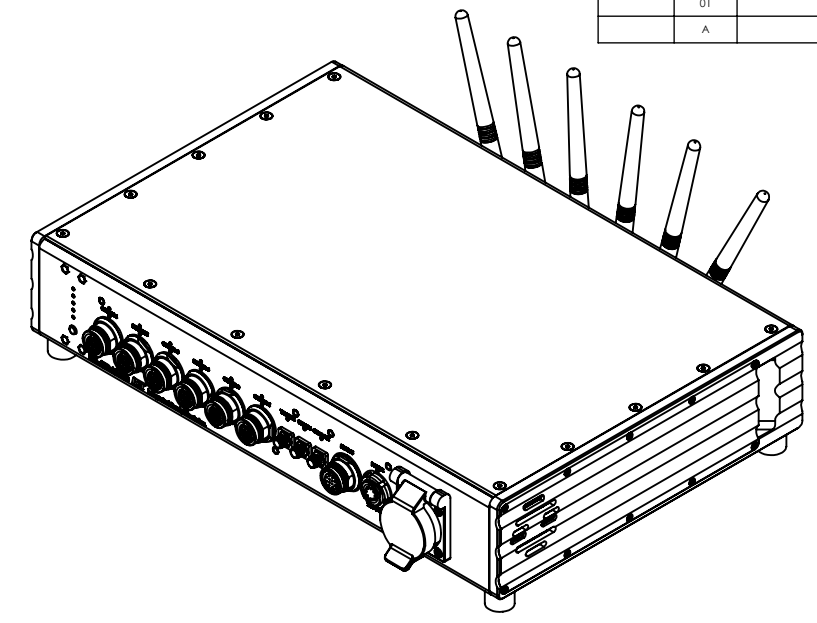
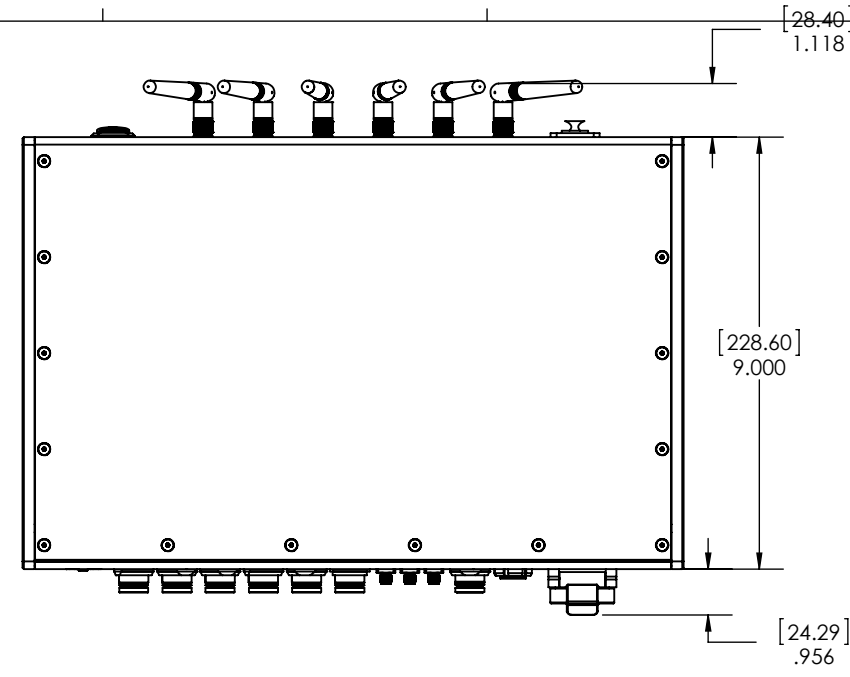
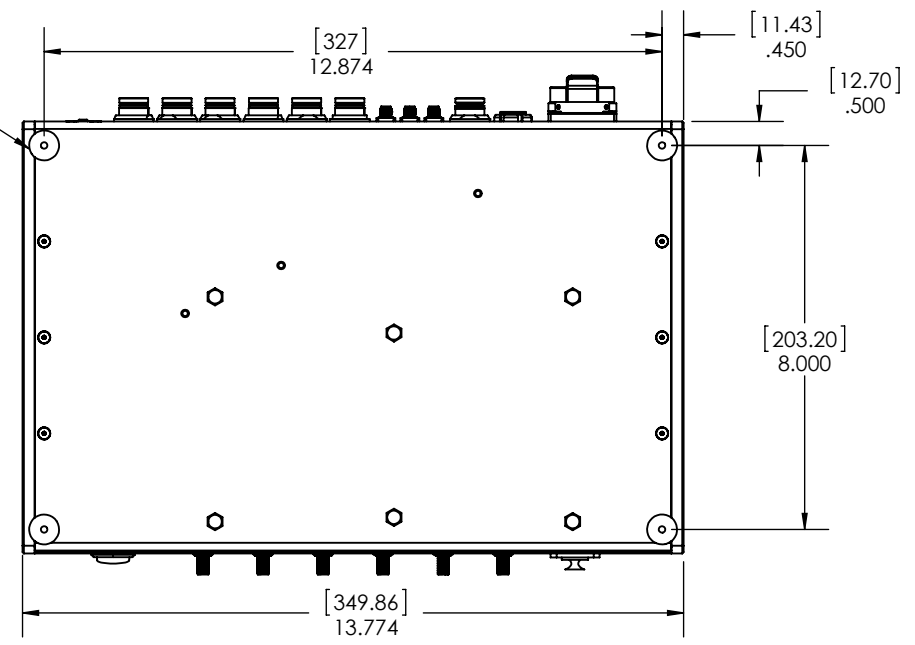


INTERFACE CONTROL DOCUMENT

REVISIONS				
ZONE	REV.	DESCRIPTION	DATE	APPROVED
	D1	INITIAL RELEASE	9/09/2013	B.MOAK
	A	RELEASE FOR PRODUCTION	2/19/2015	B.MOAK



RUBBER VIBRATION DAMPING FEET WITH #8-32 THREADED MOUNTING HOLES 4 PLCS



DESIGNATOR	CONNECTOR	DESCRIPTION
J1-J6	HEN.2M.319.XLMT	CAMERA CONTROL
J7	SMA RECPTACEL, FEMALE	TRIGGER IN
J8	SMA RECPTACEL, FEMALE	SYNC IN
J9	SMA RECPTACEL, FEMALE	SYNC OUT
J10	HEN.2M.312.XLMT	CAEMRA STATUS
J11	ECG.2B.308.CYM	POWER, 10-36VDC IN
J12	RJ45	ETHERNET/LAN CONNECTION
J13	RJ45	IN LINE HUB EXTENDER
J14-J19	RP-SMA JACK BULKHEAD	EXTERNAL ANTENNA(S)

PROPRIETARY AND CONFIDENTIAL
 THE INFORMATION CONTAINED IN THIS DRAWING IS THE SOLE PROPERTY OF INTEGRATED DESIGN TOOLS INC. ANY REPRODUCTION IN PART OR AS A WHOLE WITHOUT THE WRITTEN PERMISSION OF INTEGRATED DESIGN TOOLS INC. IS PROHIBITED.

INTERPRET THIS DRAWING PER ASME Y14.5M-1994
 UNLESS OTHERWISE SPECIFIED: DIMENSIONS ARE IN INCHES
 TOLERANCES ON:
 FRACTIONAL DECIMAL ANGULAR
 ± 1/16 .X ± .1 ± 1°
 .XX ± .03
 .XXX ± .010

PROJECT NAME: NX-TRA SYSTEM
DATE: 10/5/2011
DESIGNED BY: BRYAN MOAK
CHECKED BY: LINDSEY STANCLIFF
REVISION ENGINEER: BRYAN MOAK
ELECTRICAL ENGINEER: CHRIS CROICU
OPERATION MANAGER: LUIZ LOURENCO

INTEGRATED DESIGN TOOLS, INC
 1 WEST MOUNTAIN STREET SUITE 3
 PASADENA, CA 91103

TITLE: ICD, NX-AIR HUB
SIZE: B
DWG. NO.: 1091-1100 ICD
SCALE: 1:4
DATE: 2/19/2015
REV: A

DO NOT SCALE DRAWING

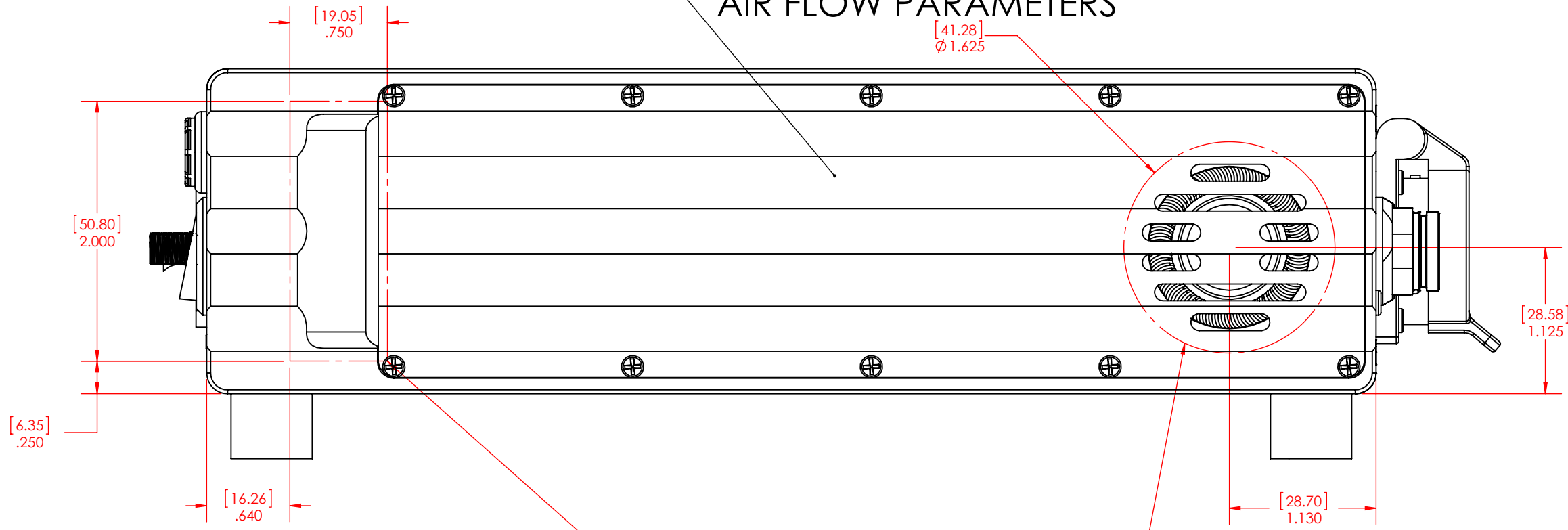
THIRD ANGLE PROJECTION	NEXT ASSY	USED ON
	APPLICATION	



8 7 6 5 4 3 2 1

REMOVABLE COVER FOR CLEANING

AIR FLOW PARAMETERS



DO NOT OBSTRUCT THESE AREAS

(SAME FOR OPPOSITE SIDE)

A B C D E

A B C D E

IDT	INTEGRATED DESIGN TOOLS, INC 1 WEST MOUNTAIN STREET SUITE 3 PASADENA, CA 91103		
	SIZE: B	DWG. NO. 1091-1100 ICD	REV A
	SCALE: 1:1	DATE: 2/19/2015	SHEET 2 OF 2

8 7 6 5 4 3 2 1