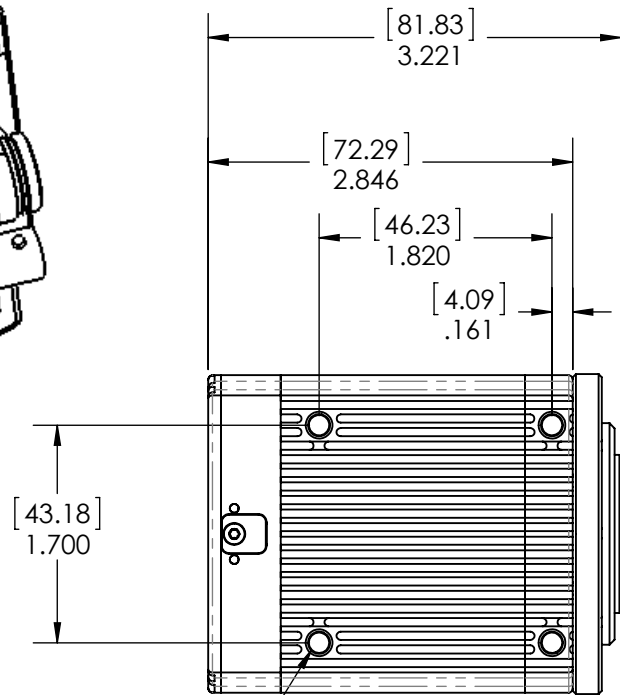
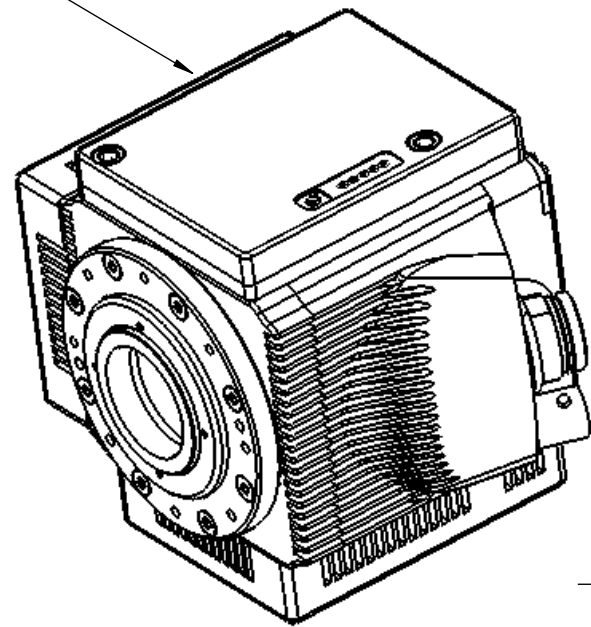


INTERFACE CONTROL DOCUMENT

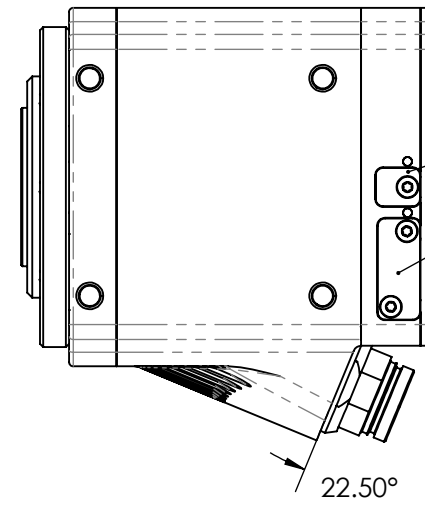
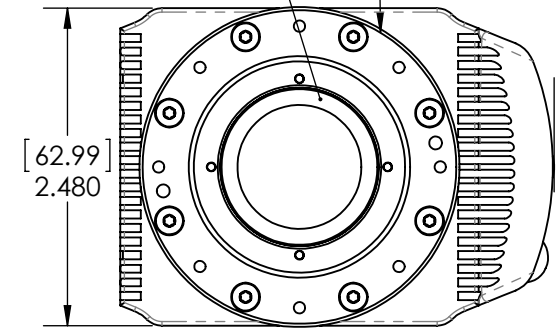
1. MASS PROPERTIES: MASS = 1.52 POUNDS (estimated)  
 CENTER OF MASS: (INCHES) X = 1.6 Y = 0.15 Z = 0.0 (estimated)

REVISIONS					
ZONE	REV.	ECO #	DESCRIPTION	DATE	APPROVED
	J		INITIAL RELEASE	5/02/2015	
	K		CHANGED TO MONOCHROME AND ADDED SHEET 2	5/11/2017	B. MOAK

CAMERA WITH OPTIONAL BATTERY AND TWO SIDE FANS

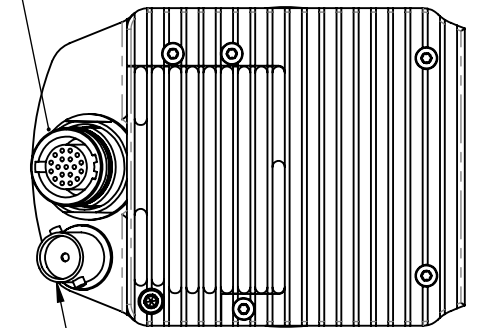


C-MOUNT F-MOUNT

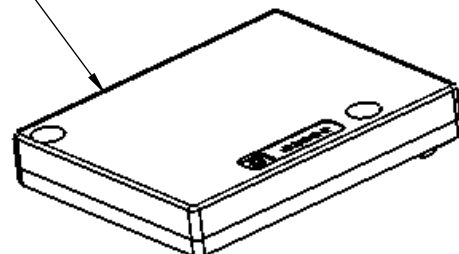


FAN CONNECTOR ON THREE SIDES  
 BATTERY AND PROGRAMMING CONNECTOR ON TOP

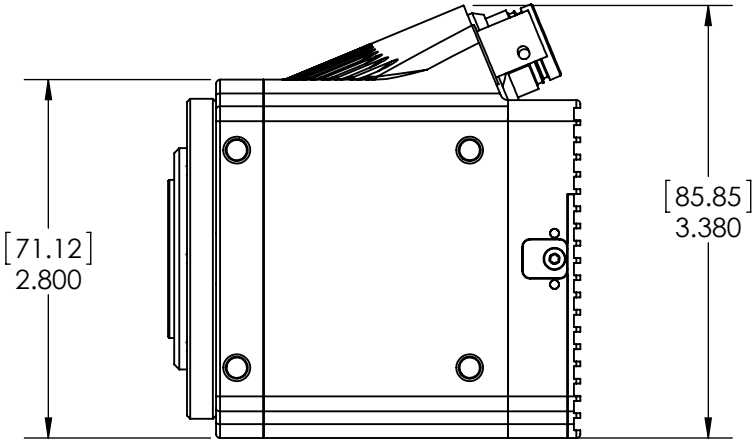
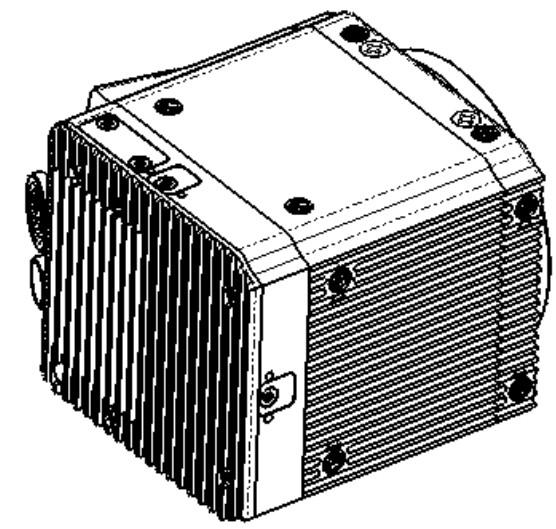
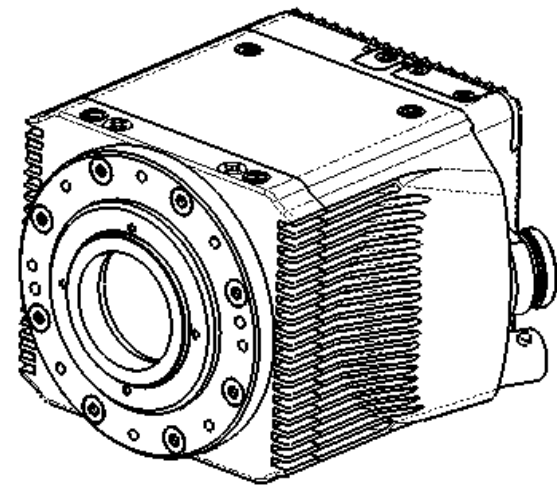
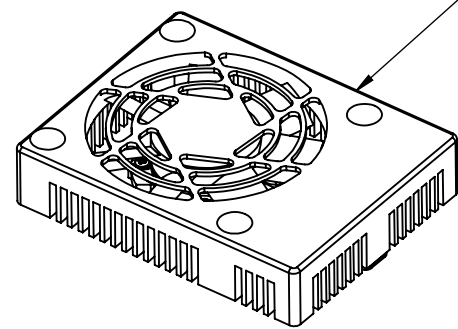
LEMO M-SERIES HEN.2M.319.XLNP ON THE LEFT SIDE



OPTIONAL 3.8 WH BATTERY



OPTIONAL SIDE FAN



#8-32 UNC-2B  $\nabla$ .200  
 HELICOIL NAS 1130-08-10  
 4X ON THREE SIDES

PROPRIETARY AND CONFIDENTIAL THE INFORMATION CONTAINED IN THIS DRAWING IS THE SOLE PROPERTY OF INTEGRATED DESIGN TOOLS, INC. ANY REPRODUCTION IN PART OR AS A WHOLE WITHOUT THE WRITTEN PERMISSION OF INTEGRATED DESIGN TOOLS, INC. IS PROHIBITED.	INTERPRET THIS DRAWING PER ASME Y14.5M-1994	PROJECT NAME: OS2 CAMERA	INTEGRATED DESIGN TOOLS, INC 1 WEST MOUNTAIN STREET SUITE 3 PASADENA, CA 91103	
	UNLESS OTHERWISE SPECIFIED: DIMENSIONS ARE IN INCHES TOLERANCES ON: FRACTIONAL DECIMAL ANGULAR ± 1/16 .X ± .1 ± 1° .XX ± .03 .XXX ± .010	DRAWN: B. MOAK 5/11/2017 CHECKED: N. PINOS 5/11/2017 RECH. ENGINEER: B. MOAK 5/11/2017 QUALITY ASSURANCE: OPERATION MANAGER:	TITLE: INTERFACE CONTROL DOCUMENT (ICD), OS AIRBORNE CAMERA	
DO NOT SCALE DRAWING	PROGRAM MANAGER: 12/09/2014	SIZE: <b>B</b>	DWG. NO. 1406-0106 SCALE: 1:1.5 DATE: 5/11/2017	REV K SHEET 1 OF 2

THIRD ANGLE PROJECTION		
NEXT ASSY	USED ON	
APPLICATION		



8 7 6 5 4 3 2 1

A

A

# CAMERA WITH BATTERY AND FANS ATTACHED

B

B

C

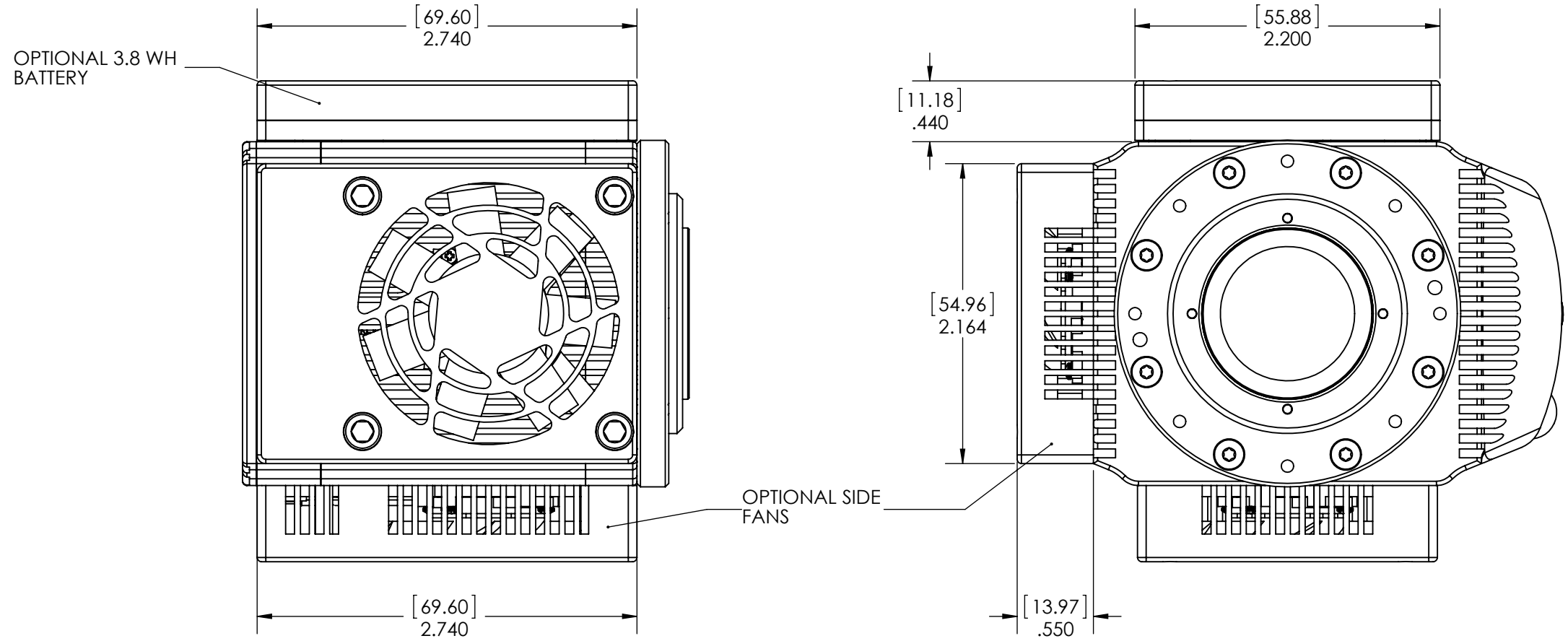
C

D

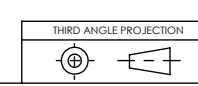
D

E

E



<b>PROPRIETARY AND CONFIDENTIAL</b> <small>THE INFORMATION CONTAINED IN THIS DRAWING IS THE SOLE PROPERTY OF INTEGRATED DESIGN TOOLS, INC. ANY REPRODUCTION IN PART OR AS A WHOLE WITHOUT THE WRITTEN PERMISSION OF INTEGRATED DESIGN TOOLS, INC. IS PROHIBITED.</small>	PROJECT NAME: <b>OS2 CAMERA</b>	<b>INTEGRATED DESIGN TOOLS, INC</b> <small>1 WEST MOUNTAIN STREET SUITE 3 PASADENA, CA 91103</small>	
	UNLESS OTHERWISE SPECIFIED: DIMENSIONS ARE IN INCHES TOLERANCES ON: FRACTIONAL DECIMAL ANGULAR ± 1/16 X ± .03 ± 1° .XX ± .01 .XXX ± .005	TITLE: <b>INTERFACE CONTROL DOCUMENT (ICD), OS AIRBORNE CAMERA</b>	
<b>DO NOT SCALE DRAWING</b>	SIZE: <b>B</b>	DWG. NO. <b>1406-0104</b>	SCALE: 1:1 DATE: 5/11/2017 SHEET 2 OF 2



8 7 6 5 4 3 2 1